



Simply Engineered Better

MD18-1 MD18-2

Automatic Glasswashing Machine



SPECIFIER STATEMENT

Specified unit will be Moyer Diebel MD18-1 or MD18-2 glasswasher.

Features include 30 racks per hour, upper and lower wash/rinse arms, maximum 10" door opening clearance, sanitizer and rinse aid dispensing pumps, pumped drain and wash tank heater.



Project _____
Item No. _____
Quantity _____

MD18-1/MD18-2 GLASSWASHER

STANDARD FEATURES

- Three pump injection system
 - Injector system allows the use of separate sanitizer and rinse aid resulting in real savings.
 - Precisely calibrated pumps inject just the right amount of chemical each time – no guesswork – no waste.
- Upper and lower wash and rinse arms produce sparkling clean glasses every time.
- One or two door models available.
- Ultra high efficiency wash pump for superior cleaning.
- Thermostatically controlled wash tank heater maintains required wash water temperature.
- Heavy-duty stainless steel construction.
- 30 racks per hour.
- Pumped drain permits use of drain connections above the floor.
- Two 16" [406mm] square racks provided.
- One year parts and labor warranty.

OPTIONS & ACCESSORIES

- | | |
|---|-------------|
| <input type="checkbox"/> RS18-24: 18" [457] rack stand w/24" [610] high drain board | P/N 180368 |
| <input type="checkbox"/> RS18-30: 18" [457] rack stand w/30" [762] high drain board | P/N 180380 |
| <input type="checkbox"/> RS24-24: 24" [610] rack stand w/24" [610] high drain board top for rack and chemical storage | P/N 180369 |
| <input type="checkbox"/> Cycle counter | P/N 0709242 |
| <input type="checkbox"/> Remote cycle switch | P/N 0709241 |
| <input type="checkbox"/> Peg rack | P/N 110352 |
| <input type="checkbox"/> Flat rack | P/N 110353 |
| <input type="checkbox"/> GR-1 glass rack | P/N 112360 |
| <input type="checkbox"/> GR-2 glass rack | P/N 112362 |
| <input type="checkbox"/> GR-3 glass rack | P/N 112361 |

MD002 Printed in U.S.A.

Moyer Diebel - USA

P.O. Box 4183, Winston-Salem, NC 27115 Tel: 336/661-1992 Fax: 336/661-1979 800/228-8350 www.moyerdiebel.com

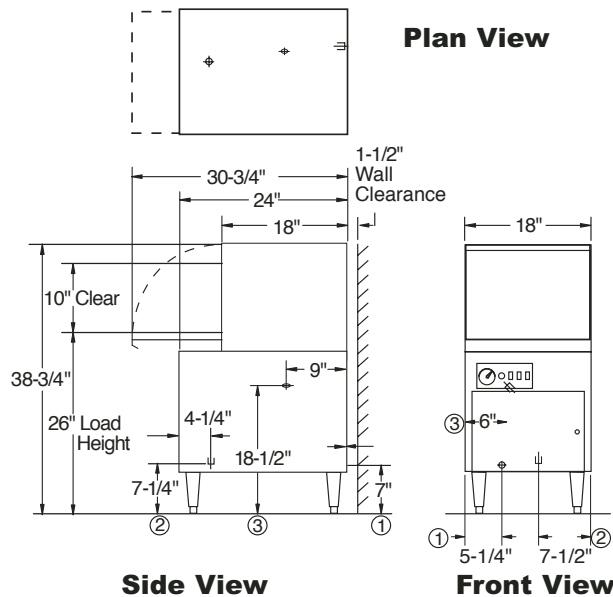
Moyer Diebel Ltd. - Canada

2674 North Service Rd., Jordan Station, Ontario, Canada L0R 1S0 Tel: 800/263-5798 Fax: 905/562-4618 sales@moyerdiebellimited.com



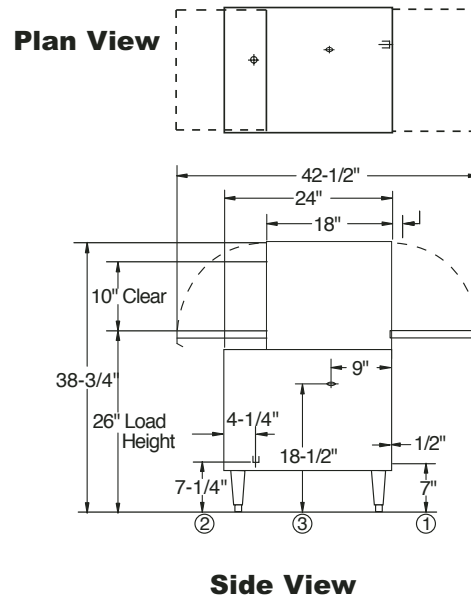
STANDARD

MD18-1



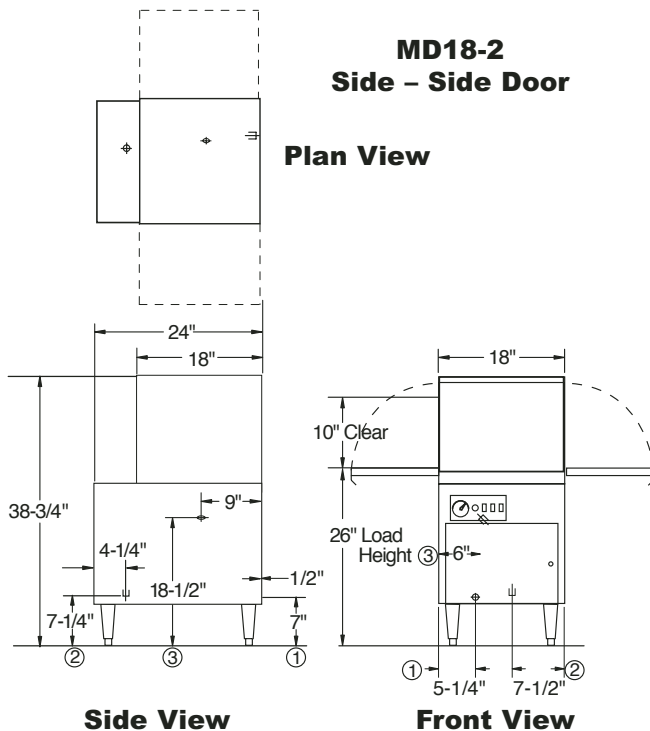
MD18-HH is available with 13" door clearance overall height 41-3/4"

**MD18-2
Front - Rear Door**



Warning: Plumbing and electrical connections should be made by qualified workmen who will observe all the applicable plumbing, sanitary and safety codes.

**MD18-2
Side - Side Door**



SPECIFICATIONS

Capacity
Racks per hr. 30

Water consumption
Gal. per hr., US gal. (imp. gal.) 45 (34)
Gal. per rack, US gal. (imp. gal.) 1.5 (1.25)

***Temperature**
Wash 140°F
Rinse 140°F

Heating
Tank heat, electric (kW) .75

* Supply water temperature 140°F

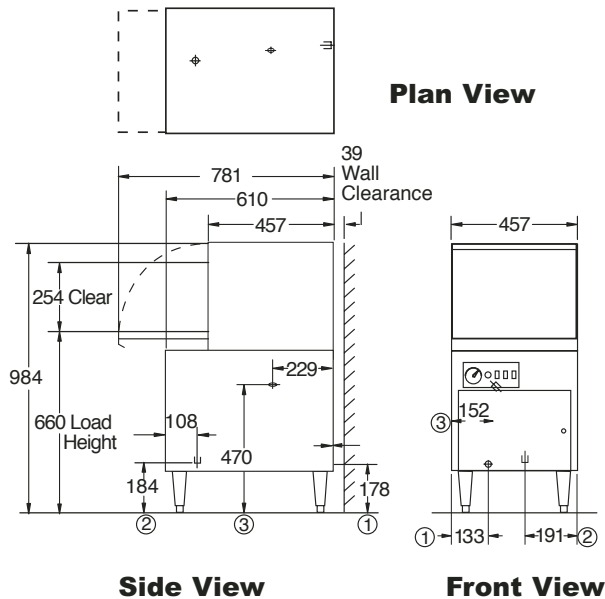
Utilities

- 1 Electrical***
115/60/1 - 15 amp, 9 amp draw
- 2 Hot Water Connection**
1/2" NPT hot water. Flow pressure 25-95 psi
- 3 Drain Connection**
5/8" flexible hose. Max flow rate 18 US gpm (15 imp.gpm)

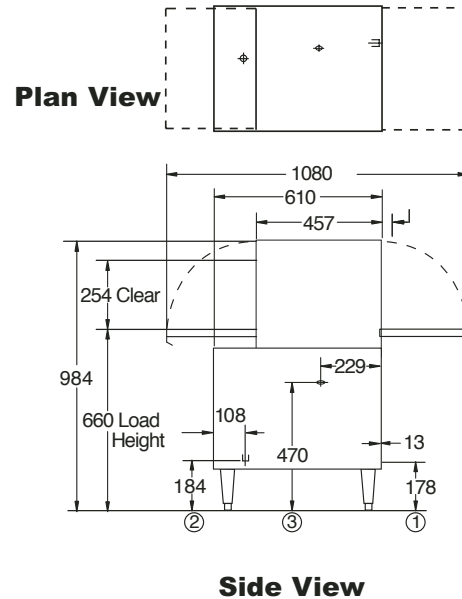
***NOTE:** Models MD18-1 and MD18-2 are supplied with 5 ft. cord and plug

METRIC

MD18-1

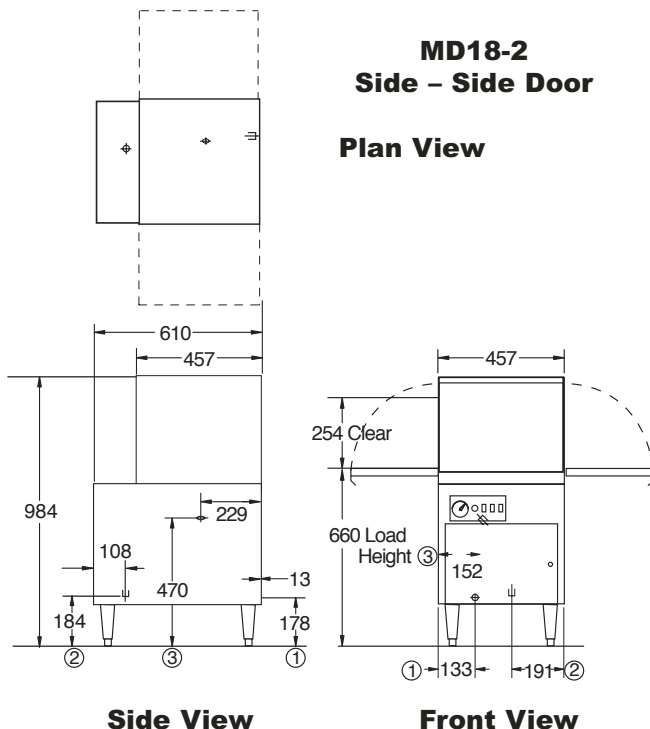


**MD18-2
Front - Rear Door**



MD18-HH is available with 330mm door clearance overall height 1061mm

**MD18-2
Side - Side Door**



Warning: Plumbing and electrical connections should be made by qualified workmen who will observe all the applicable plumbing, sanitary and safety codes.

SPECIFICATIONS

Capacity	
Racks per hr.	30
Water consumption	
Liters per hour	171
Liters per rack	5.7
*Temperature	
Wash	60°C
Rinse	60°C
Heating	
Tank heat, electric (kW)	.75
* Supply water temperature 60°C	

Utilities

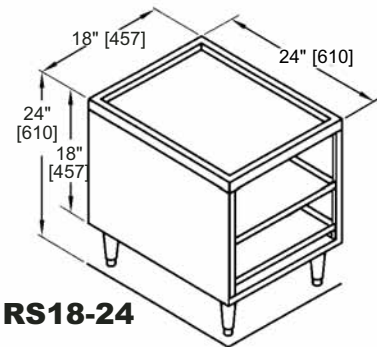
1 Electrical*	115/60/1 - 15 amp, 9 amp draw
2 Hot Water Connection	1/2" NPT hot water. Flow pressure 25-95 psi
3 Drain Connection	5/8" flexible hose. Max flow rate 18 US gpm (15 imp.gpm)

***NOTE:** Models MD18-1 and MD18-2 are supplied with 1524mm cord and plug

Dimensions shown in inches and [millimeters]



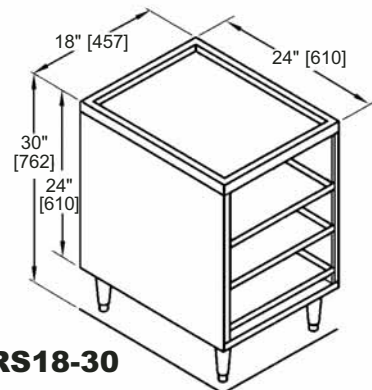
RS18-24
18" [457] rack stand with
24" [610] high drain board
top for rack storage



RS18-24



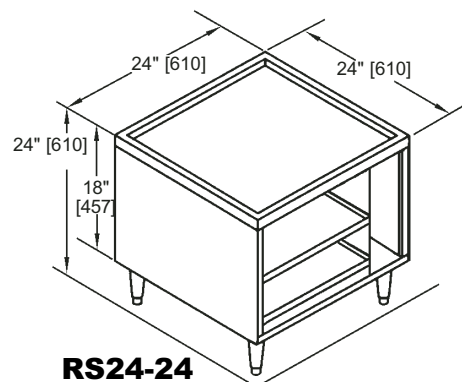
RS18-30
18" [457] rack stand with
30" [762] high drain board
top for rack storage



RS18-30



RS24-24
24" [610] rack stand with
24" [610] high drain board top
for rack and chemical storage



RS24-24