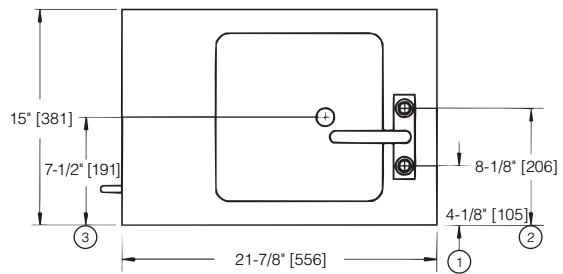


Dimensions shown in inches and [millimeters]

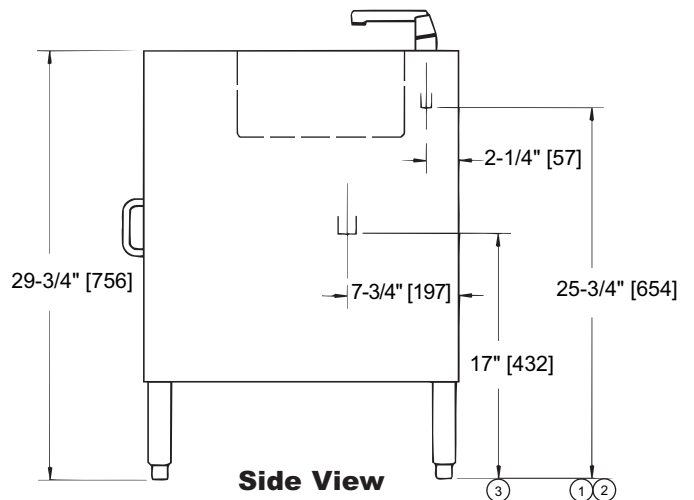


STANDARD FEATURES

- Removable waste basket
- Large storage area under sink
- Complete faucet assembly
- Sturdy adjustable legs
- Standard hook-ups
- Fits flush at either end of the Moyer Diebel DF or SW glasswashers



Plan View



Side View

Utilities	
1	Cold Water 1/2" NPT
2	Hot Water 1/2" NPT
3	Drain 1-1/4" O.D.