



Simply Engineered Better

# SW

Pass Through Fully Automatic Glasswashing Machine



SW600

SW400



SW47

## SPECIFIER STATEMENT

Specified unit will be Moyer Diebel model SW400 or SW600 pass-through conveyor type glasswasher.

Features include detergent, sanitizer and rinse aid pump, upper & lower wash/rinse arms, cold water final rinse, polypropylene conveyor, two splash curtains, processes 2,000 glasses/hr. Warranty: 1 year parts, 90 day labor.



Project \_\_\_\_\_  
 Item No. \_\_\_\_\_  
 Quantity \_\_\_\_\_

SW GLASSWASHING MACHINE

## STANDARD FEATURES

- New three pump injection system:
  - Injector system allows the use of separate sanitizer and rinse aid resulting in real savings.
  - Precisely calibrated pumps inject just the right amount of chemical each time – no guesswork –no waste.
- Upper and lower wash and rinse arms produce sparkling clean glasses every time
- Cool final rinse water provides a fresh, cool glass ready for immediate use
- Available in either 4 foot or 6 foot models
- Two splash curtains
- Processes approximately 2000, 2-1/2" glasses/hr.
- Available in either right-to-left or left-to-right operation
- Polypropylene conveyor virtually eliminates chipping of fine stemware.

## OPTIONS & ACCESSORIES

- |  |             |
|--|-------------|
| <input type="checkbox"/> SW46C – Waste Sink                                      | P/N 0708453 |
| <input type="checkbox"/> SW47 – Drain Tray & Waste Collector                     | P/N 0706204 |
| <input type="checkbox"/> SW12 – S/S splash guards for SW400                      | P/N 0702877 |
| <input type="checkbox"/> SW24 – S/S splash guards for SW600                      | P/N 0702878 |
| <input type="checkbox"/> SW48 – S/S back panel for SW400                         | P/N 0702882 |
| <input type="checkbox"/> SW72 – S/S back panel for SW600                         | P/N 0702886 |
| <input type="checkbox"/> Kit 264 – Washdown hose                                 | P/N 0701956 |
| <input type="checkbox"/> Kit 332 – Casters; set of 4,<br>2 locking, 2 stationary | P/N 0701962 |
| <input type="checkbox"/> Site Glass kit  | P/N 0712993 |

MD007 Printed in U.S.A.

### Moyer Diebel – USA

3765 Champion Blvd., Winston-Salem, NC 27105 Tel: 336/661-1992 Fax: 336/661-1979 800/228-8350 www.moyerdiebel.com

### Moyer Diebel Ltd. – Canada

2674 North Service Rd., Jordan Station, Ontario, Canada L0R 1S0 Tel: 905/562-4195 Fax: 905/562-4618  
 800/263-5798 sales@moyerdiebellimited.com



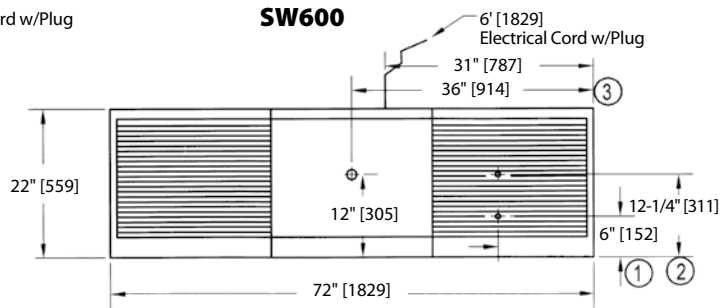
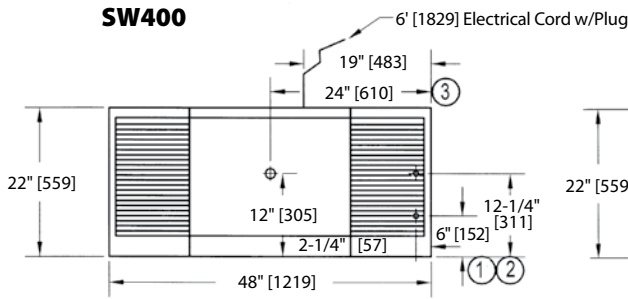


Simply Engineered Better

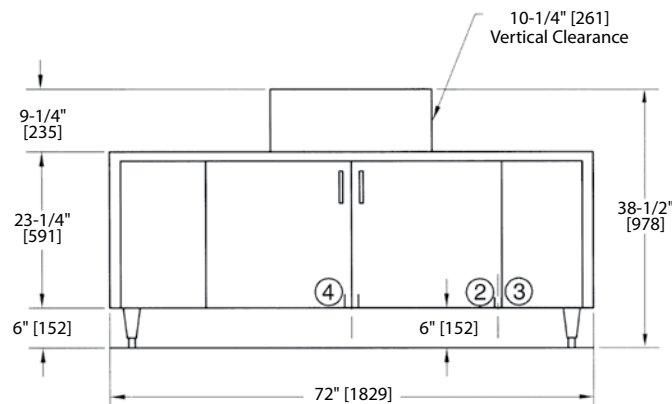
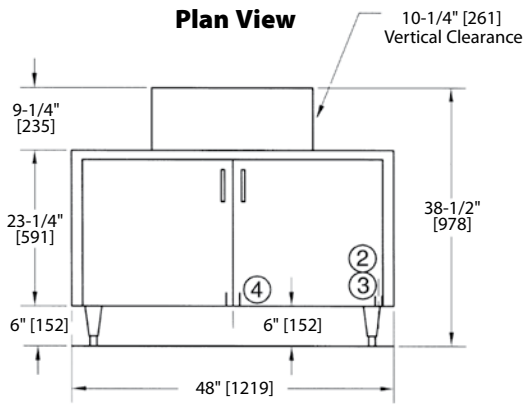
**SW**

Pass Through Fully Automatic  
Glasswashing Machine

Dimensions shown in inches and [millimeters]



**Plan View**



**Front View**

**Front View**

**NOTE:** Both Doors: 21-1/2" [546] High  
22" [559] Wide

Utilities	
<b>1 Electrical</b>	208 - 230/60/1, 15 amp (Supplied with 4ft. [1219] plug-in cord NEMA6-15P)
<b>2 Hot Water Connection</b>	1/2" IPS. Flow pressure 25-95 psi (173-656 kPa)
<b>3 Cold Water Connection</b>	1/2" IPS. Flow pressure 25-95 psi (173-656 kPa)
<b>4 Drain Connection</b>	1/2" IPS. Flow pressure 25-95 psi (173-656 kPa) 1-1/2" tailpiece. Connect to drain size according to local plumbing code.

	Uncrated		Crated	
	SW400	SW600	SW400	SW600
<b>Height*</b>	38-1/2" [978]	38-1/2" [978]	49" [1244]	49" [1244]
<b>Width</b>	48" [1219]	72" [1882]	53" [1346]	76-1/2" [1942]
<b>Depth</b>	22" [559]	22" [559]	27-1/2" [698]	27-1/2" [698]
<b>Ship Wt. lbs/kg</b>	225/102	285/129	255/115	325/147

\* Adjustable foot height – 1-1/4" [32]

**SPECIFICATIONS**

<b>Capacity</b>	2-1/2" glasses/hr.	2000
<b>Water Consumption</b>	Cold water	2.8 US gpm 10.6 liters/min 2.24 imp. gpm
	Hot water (initial fill)	3 US gallons 11.35 liters 2.4 imp. gallons (Max. use-approx. 10 US gph/8.3 imp gph)
<b>Temperatures °F/C</b>	Inlet water (hot)	140-160/60-71
	Inlet water (cold)	75/24
<b>Heating</b>	Tank heat, electric (kW)	3
<b>Conveyor</b>	Speed inches/millimeters per min.	14/356

**Warning:** Plumbing and electrical connections should be made by qualified personnel who will observe all the applicable plumbing, sanitary and safety codes.