



Simply Engineered Better

# MD-1000HT

Door-type  
High Temperature  
Dishwashing Machine



## SPECIFIER STATEMENT

Specified unit will be Moyer Diebel model MD-1000HT high temperature door-type dishwashing machine.

Constructed of Type 304 stainless steel. Features 1 Hp TEFC pump motor, top mounted controls, balanced door lift system, common utility connections and interchangeable upper and lower spray arms.



Project \_\_\_\_\_

Item No. \_\_\_\_\_

Quantity \_\_\_\_\_

MD-1000HT DOOR-TYPE

## STANDARD FEATURES

- Straight-through or corner application – simple conversion in a matter of minutes
- Built-in 40°F/22°C rise stainless steel electric booster (optional 70°F/39°C rise)
- Rinse Sentry – extends the cycle time to ensure 180°F/82°C final rinse
- Pumped rinse ensures consistent rinse results
- Parts compatibility with other machines
- Superior wash results – unique sump design and the vertical mount, self-draining pump provides quick wash water flow and an ample 55-second wash time that produces sparkling clean wares.
- Direct replacement – the MD-1000HT is a direct replacement for most competitor’s models without table modification.
- Machine fully assembled, ready to install
- 1 Hp pump, TEFC motor, vertically mounted, self-draining
- Door safety switch
- Interchangeable upper and lower spray arms
- Airgap design feature eliminates vacuum breaker
- Common utility connections
- Pumped rinse ensures consistent rinse results

## OPTIONS & ACCESSORIES

- 70°F/39°C built-in rise stainless steel electric booster
- Detergent pump and rinse pump
- 20" x 20" Peg Rack (not included)
- 20" x 20" Flat Bottom Rack (not included)

### Moyer Diebel Ltd. – Canada

2674 North Service Rd., Jordan Station, Ontario, Canada L0R 1S0 Tel: 800/263-5798 Fax: 905/562-4618  
sales@moyerdiebellimited.com

MD032

(1M) 4/08 Printed in U.S.A.





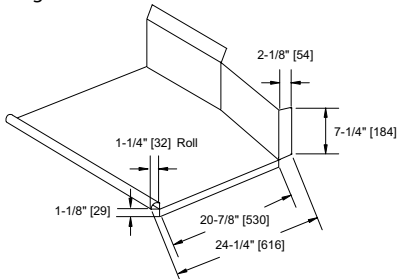
**Simply Engineered Better**

# MD-1000HT

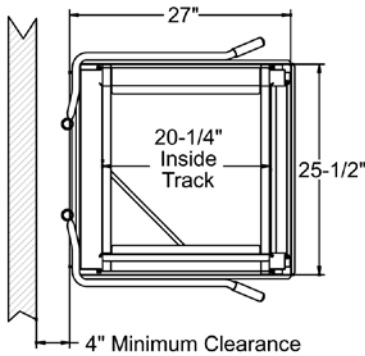
Door-type  
High Temperature  
Dishwashing Machine

Volume crated: **42 cu. ft. [1.2 cu.m.]**  
Shipping weight crated: **242 lbs. [110kg]**  
Length between table connections: **25-3/8" [645 mm]**

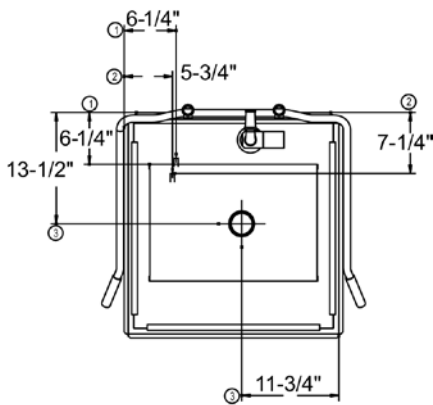
Dimensions shown in inches and [millimeters]



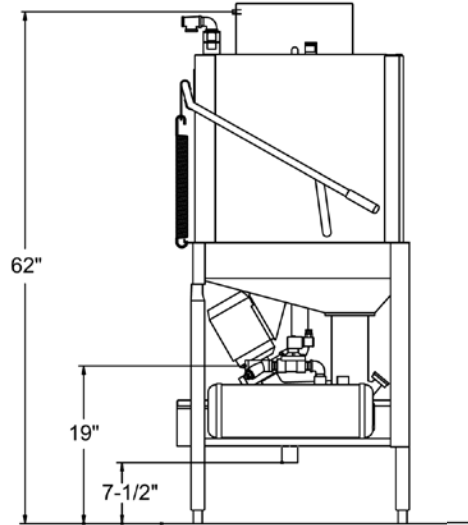
**Typical Table Construction**



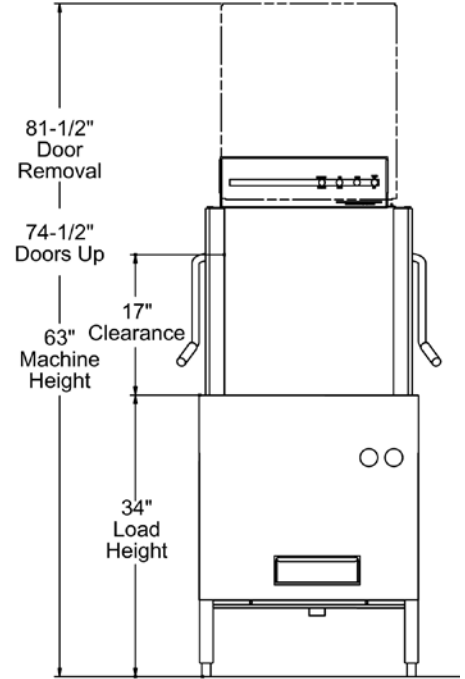
**Straight Through**



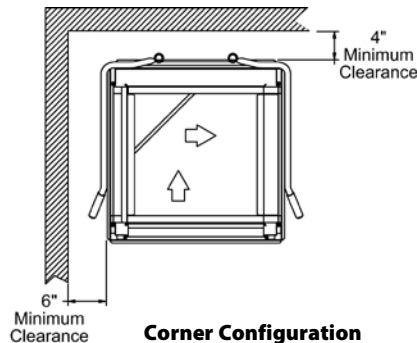
**Plan View**



**Side View**



**Front View**



**Corner Configuration**

## SPECIFICATIONS

### Capacities

Racks per hr. 37

### Motor horsepower

Wash 1 Hp

### Water consumption

U.S. Gal. per rack (imp. gal./liters) 1.7 (1.4/6.4)

### Temperatures °F/°C

Wash 150/66  
Rinse 180/82

### Time Cycle in Seconds

Wash 55  
Drain/Fill/Dwell 12  
Rinse 23  
Total cycle 90

## Utilities

### 1 Electrical (see box)

### 2 Hot Water

3/4" NPT 140°F/60°C hot water connection (40°F/22°C rise booster); 3/4" NPT 110°F/43°C hot water connection (70°F/39°C rise booster); Flow pressure 20±5 psi

### 3 Drain

1-7/8" connection.

MD-1000HT Electrical (40°F/22°C Rise) 9 kW			
Elec. Specs.	Rated Amps	Minimum Supply Ckt. Conductor Ampacity	Maximum Overcurrent Protective Device
208/60/1	47	60	60
230/60/1	50	60	60
208/60/3	25	35	35
230/60/3	27	35	35

MD-1000HT Electrical (70°F/39°C Rise) 12 kW			
Elec. Specs.	Rated Amps	Minimum Supply Ckt. Conductor Ampacity	Maximum Overcurrent Protective Device
208/60/3	38	50	50
230/60/3	41	50	50

**Warning:** Plumbing and electrical connection should be made by qualified personnel who will observe all the applicable plumbing, sanitary and safety codes and the National Electrical Code.

**Plumbing Notes:** Because of the variation in house-supplied water, a pressure regulating valve (PRV) for incoming water supply is needed. The PRV can be purchased from Champion or obtained locally. It is also recommended that a pressure gauge 0-60 psi (supplied by others) be installed in the water supply line as close to the dishwasher as possible.

**Note:** Water Hammer Arrestor (meeting ASSE-1010 standard or equivalent) to be supplied (by others) in common water supply line at service connection.

Due to an ongoing value analysis program at Moyer diebel, specifications contained in this catalog are subject to change without notice.

P. O. Box 4183, Winston-Salem, NC 27115 • 336/661-1992 • Fax: 336/661-1979 • www.moyerdiebel.com  
2674 North Service Rd., Jordan Station, Ontario, Canada L0R 1S0 • 905/562-4195 • Fax 905/562-4618 • sales@moyerdiebellimited.com