



Simply Engineered Better

MD240LT

Low-Temperature Warewashing Machine



SPECIFIER STATEMENT

Specified unit will be Moyer Diebel model MD240LT low temperature warewashing machine. Features include 11" door opening, 90 second total cycle, solid state controls, detergent, rinse aid and sanitizer pumps. Constructed of stainless steel. 1 year parts and labor warranty.



Project _____
Item No. _____
Quantity _____

STANDARD FEATURES

- **Dual NSF listed as both a glasswasher and a dishwasher**
- Soft start, protects dishes and glasses from chipping or breakage
- Two upper, one lower wash/rinse arms
- 10-1/2" glass, stemware and plate clearance
- Counter balanced door
- Reduced water usage
- Low-water tank heat protection
- Built-in detergent, rinse-aid, and sanitizer dispensing pumps
- Wash pump, 1-Hp motor
- Fresh water rinse
- Thermostatically controlled wash tank heater maintains water at the required temperature
- Single phase connection
- Stainless steel construction
- Fully automatic wash/rinse cycle processes a rack of wares in 90 seconds ... 40 racks an hour!
- Complete with two 20" x 20" racks (one peg & one flat)
- One year parts and labor warranty

MODEL MD240LT WAREWASHER

OPTIONS & ACCESSORIES

- | | |
|--|-------------|
| <input type="checkbox"/> Flat bottom dishrack | P/N 101273 |
| <input type="checkbox"/> Peg dishrack | P/N 101285 |
| <input type="checkbox"/> Casters; set of four – 2 locking, 2 regular | P/N 0701962 |
| <input type="checkbox"/> Low chemical Alarm | |
| <input type="checkbox"/> Pressure reducing valve (unmounted) | P/N 108265 |

MD036L Printed in U.S.A.



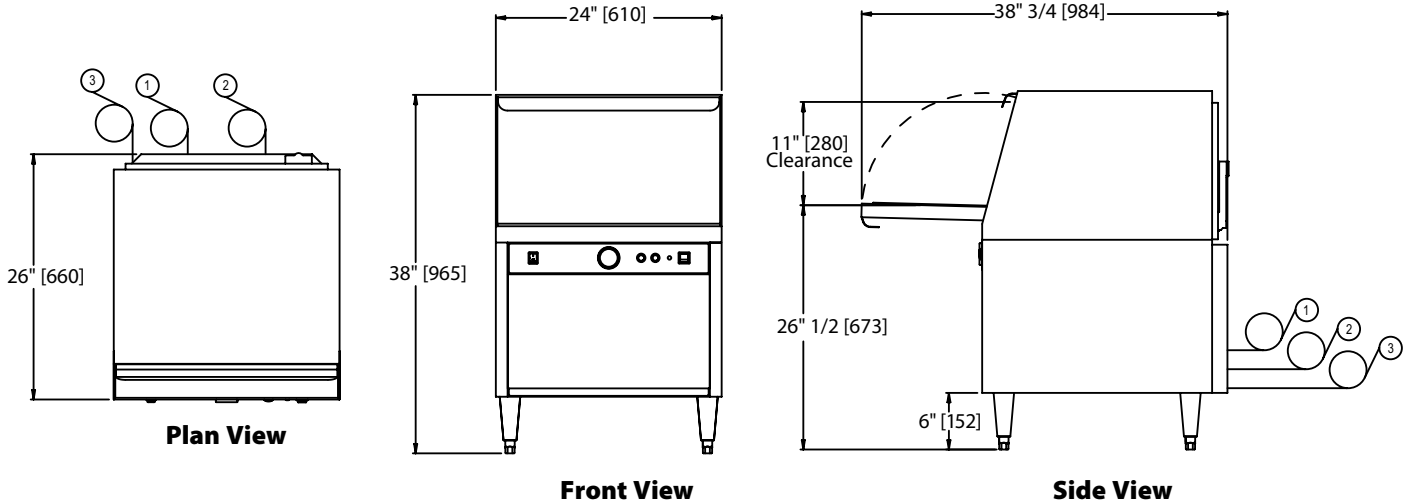


Simply Engineered Better

MD240LT

Low-Temperature
Warewashing Machine

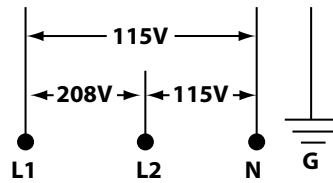
Dimensions shown in inches and [millimeters]



***Note:** Allow additional 3" clearance from wall.

| Utilities | |
|-----------|---|
| 1 | Electrical 115/60/1; 12 amp draw; to be fused at 15 amp. 4ft. plug-in cord supplied. |
| 2 | Water 1/2" Supply; 140°F Min. hot water connection, 6 ft. long, 1/2" I.D. flexible fill hose with 3/4" hose connector. Flow pressure 25-95 PSI. |
| 3 | Drain 5/8" I.D. flexible reinforced hose, 6 ft. long. Max. drain flow 15 US gpm, Max. drain height 3 ft. |

| | Uncrated | Crated |
|------------------------|----------|----------|
| Height | 38" | 46.5" |
| Width | 24" | 27" |
| Depth | 25" | 27.5" |
| Ship Wt. lbs/kg | 135/61.4 | 155/70.5 |



Note: Electrical supply service must be a 3-wire ground for connection shown.

MD240LT low temperature without booster 750 watt tank heat

| Electric Specs. | Rated Amps |
|-----------------|------------|
| 115/60/1 | 12 |

SPECIFICATIONS

Capacities

| | |
|----------------------|----|
| Cycle time (seconds) | 90 |
| Racks per hr. | 40 |

Motor horsepower

| | |
|------|---|
| Wash | 1 |
|------|---|

Water consumption

| | |
|------------------------------|------|
| U.S. Gal. per hr. (Max. use) | 49.2 |
| U.S. Gal. per rack | 1.64 |

Temperatures °F

| | |
|-------|-----|
| Wash | 140 |
| Rinse | 140 |

Heating

| | |
|-------------------------|-----|
| Tank heat, electric, kW | .75 |
|-------------------------|-----|

Time Cycle in Seconds

| | |
|-------------|----|
| Wash | 45 |
| Rinse | 17 |
| Drain/Fill | 28 |
| Total cycle | 90 |

Standard 20" x 20" Rack Complement

| | |
|------|---|
| Dish | 1 |
| Open | 1 |

Warning: Plumbing and electrical connections should be made by qualified personnel who will observe all the applicable plumbing, sanitary and safety codes and the National Electrical Code.