



Simply Engineered Better

MDHHD

High Temperature Hood-type Dishwashing Machine



SPECIFIER STATEMENT

Specified unit will be Moyer Diebel model MDHHD high temperature hood-type dishwashing machine.

Features sloped hood, electronic controls, Rinse Sentry, Auto start, interchangeable stainless steel wash and rinse arms, up to 55 racks/hour, 0.85 US gals [3.37 liters, 0.74 Imp gals] rack. 1 year parts and labor warranty.



MDHHD HOOD-TYPE

Project _____

Item No. _____

Quantity _____

STANDARD FEATURES

- **ENERGY STAR® Qualified**
- Exclusive built-in booster configured for both 40° and 70° rise
- Field convertible from straight to corner operation
- Dual NSF listed as both a dishwasher and potwasher
- Rinse Sentry – ensures 180°F final rinse
- Auto start – starts unit when hood is closed
- Single point electrical connection
- High efficiency 2 HP pump
- Up to 55 racks per hour
- Self-draining pump
- Automatic tank fill
- Detergent/chemical connections
- Interchangeable upper and lower spray arms
- Automatic drain valve – drains wash tank when power is off
- Vent fan control (with 120 Volt interwiring by others)
- Bottom mounted digital controls
- PRV (Mounted pressure reducing valve)
- Sloped hood keeps hot vapors away from operator
- Standard and Heavy Duty wash cycles
- 4 selectable cycles
- 27" [686 mm] extended clearance
- Accepts all standard 18" x 26" sheet pans
- One peg and one flat rack, standard
- One year parts and labor warranty

OPTIONS & ACCESSORIES

- Drain Water Tempering Kit
- Hot water coil with gas booster (contact factory for information)
- Single phase option
- Corner operation splash baffle

Moyer Diebel

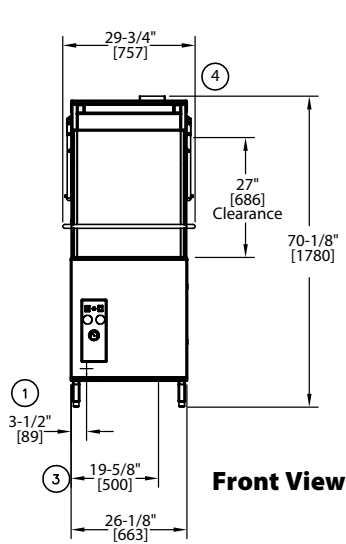
3765 Champion Blvd., Winston-Salem, NC 27105 • Tel: 336/661-1992 • Fax: 336/661-1979 • 800/228-8350 • www.moyerdiebel.com



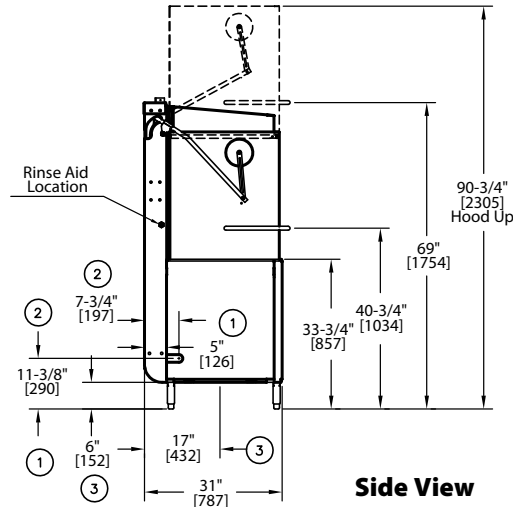
Shipping weight crated:

300 lbs. [136kg]

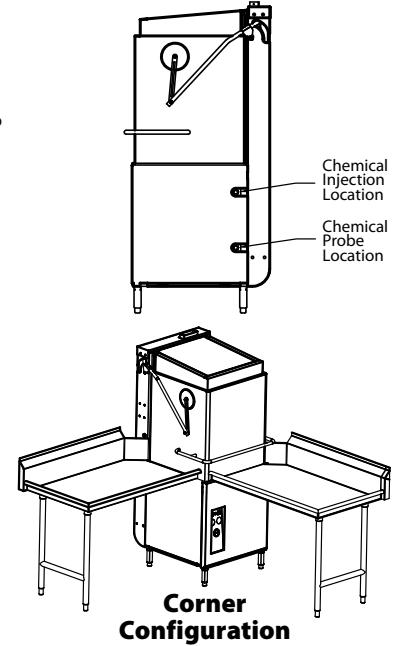
Dimensions shown in inches and [millimeters]



Front View

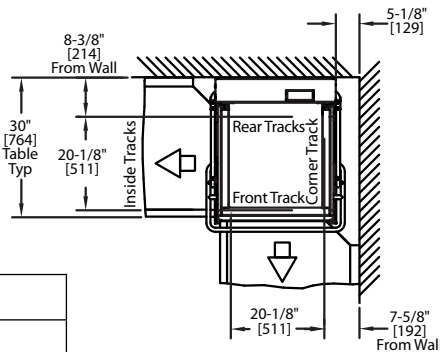
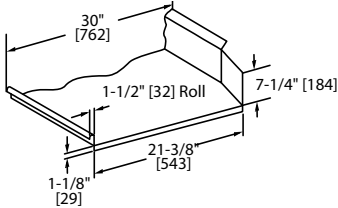


Side View



Corner Configuration

Typical Table Construction



Plan View

Utilities	
1 Electrical	Machine Connection (See Electrical Box)
2 Hot Water	3/4" NPT Hot Water 110° - 140°F/43° - 60°C 20-22 PSI Flow Pressure
3 Drain	2" [51mm] OD Connection 15 GPM Max Flow
4 Exhaust	250 CFM Hood Required

Warning: Plumbing, electrical connections should be made by qualified personnel who will observe all the applicable plumbing, sanitary and safety codes and the National Electrical Code.

SPECIFICATIONS

Capacities	
Racks per hr.	55
Wash tank (gal.)	9.5
[liters/imp gal.]	[36/7.9]
Motor horsepower	2 HP
Water consumption	
Gal. per hr. (max. use)	47
[liters/imp gal.]	[177/39]
Gal. per rack (dishwasher)	0.85
[liters/imp gal.]	[3.2/0.7]
Gal. per rack (pot & pan washer)	1.18
[liters/imp gal.]	[4.5/0.98]

Temperature °F/°C	
Wash	150/66
Rinse	180/82

Heating	
Tank heat, electric	5.2 kW
Electric Booster	7.5-10 kW

	Time cycle in seconds			
	Dishwasher Mode		Pot/Pan Mode	
Wash	35	65	214	334
Rinse	10	10	15	15
Sanitary Dwell	15	15	11	11
Total cycle	60	90	240	360

Electric Heat, No Booster			
Voltage	Rated Amps	Minimum Supply Circuit Ampacity	Maximum Overcurrent Protective Device
208-240/60/1	35-39	45	45
208-240/60/3	21-24	30	30
460-480/60/3	11	20	20

Electric Heat, 40°/70° Rise Booster			
Voltage	Rated Amps	Minimum Supply Circuit Ampacity	Maximum Overcurrent Protective Device
208-240/60/1	71-81	100	100
208-240/60/3	42-48	60	60
460-480/60/3	20-21	30	30