



Simply Engineered Better

MD 1000LT

Door-type
Low Temperature
Dishwashing Machine



SPECIFIER STATEMENT

Specified unit will be Moyer Diebel model MD 1000LT low temperature door-type dishwashing machine.

Constructed of Type 304 stainless steel. Features 1 Hp TEFC pump motor, top mounted controls, balanced door lift system, common utility connections and interchangeable upper and lower spray arms.



Project _____

Item No. _____

Quantity _____

MD 1000LT DOOR-TYPE

STANDARD FEATURES

- Straight-through or corner application – simple conversion in a matter of minutes
- Parts compatibility with other machines
- Superior wash results – unique sump design and the vertical mount, self-draining pump provides quick wash water flow and an ample 55-second wash time that produces sparkling clean wares.
- Direct replacement – the MD 1000LT is a direct replacement for most competitor’s models without table modification.
- Delime switch and cycle counter located inside top mounted controls
- 3 chemical dispensing pumps
- Machine fully assembled, ready to install
- 1 Hp TEFC pump motor, vertically mounted, self-draining
- Door safety switch
- Interchangeable upper and lower spray arms
- Airgap design feature eliminates vacuum breaker
- Common utility connection
- Pumped rinse ensures consistent rinse results

OPTIONS & ACCESSORIES

- 20" x 20" Peg Rack (not included)
- 20" x 20" Flat Bottom Rack (not included)

Moyer Diebel Ltd. – Canada

2674 North Service Rd., Jordan Station, Ontario, Canada L0R 1S0 Tel: 800/263-5798 Fax: 905/562-4618
sales@moyerdiebellimited.com

MD032

(1M) 4/08 Printed in U.S.A.





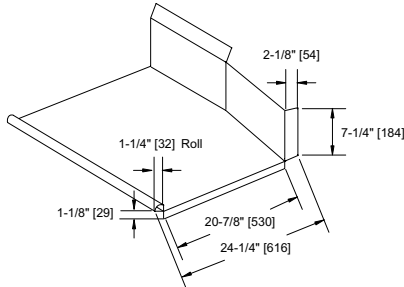
Simply Engineered Better

MD 1000LT

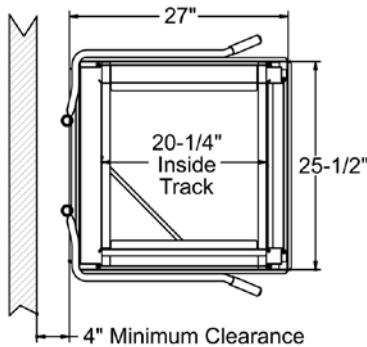
Door-type
Low Temperature
Dishwashing Machine

Volume crated: **42 cu. ft. [1.2 cu.m.]**
Shipping weight crated: **216 lbs. [98kg]**
Distance between tables: **25-3/8" [645mm]**

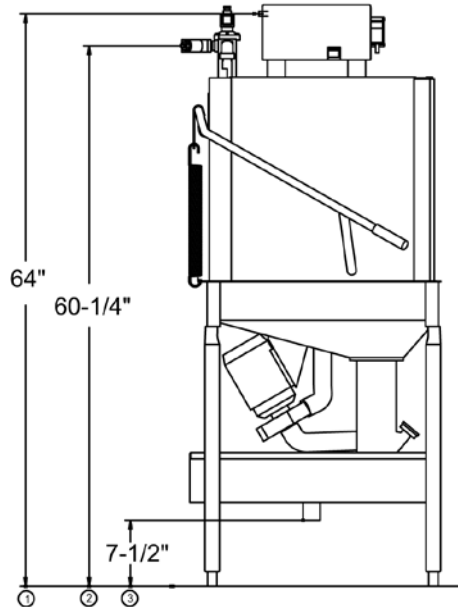
Dimensions shown in inches and [millimeters]



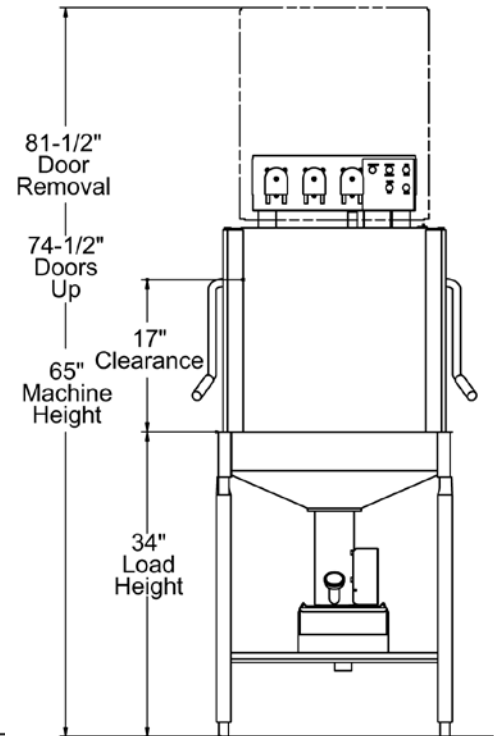
Typical Table Construction



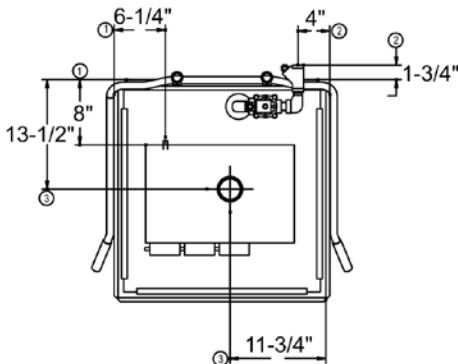
Straight-through



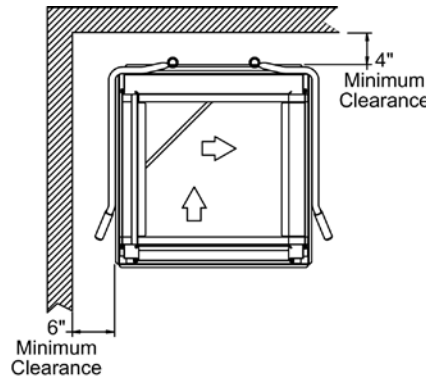
Side View



Front View



Plan View



Corner Configuration

Warning: Plumbing and electrical connection should be made by qualified personnel who will observe all the applicable plumbing, sanitary and safety codes and the National Electrical Code.

Plumbing Notes: Because of the variation in house-supplied water, a pressure regulating valve (PRV) for incoming water supply is needed. The PRV can be purchased from Champion or obtained locally. It is also recommended that a pressure gauge 0-60 psi (supplied by others) be installed in the water supply line as close to the dishwasher as possible.

Note: Water Hammer Arrestor (meeting ASSE-1010 standard or equivalent) to be supplied (by others) in common water supply line at service connection.

SPECIFICATIONS

Capacities

Racks per hr. 37

Motor horsepower

Wash 1 Hp

Water consumption

U.S. Gal. per rack (imp. gal./liters) 1.7 (1.4/6.4)

Temperatures °F/°C

Wash 140/60
Rinse 140/60

Time Cycle in Seconds

Wash 55
Drain/Fill/Dwell 12
Rinse 23
Total cycle 90

Utilities

1 Electrical	115/60/1, 12.0 Machine Load Amps
2 Hot Water	3/4" NPT 140°F/60°C hot water connection; Flow pressure 20±5 psi
3 Drain	1-7/8" connection.

Due to an ongoing value analysis program at Moyer diebel, specifications contained in this catalog are subject to change without notice.

P. O. Box 4183, Winston-Salem, NC 27115 • 336/661-1992 • Fax: 336/661-1979 • www.moyerdiebel.com
2674 North Service Rd., Jordan Station, Ontario, Canada L0R 1S0 • 905/562-4195 • Fax 905/562-4618 • sales@moyerdiebellimited.com