



Simply Engineered Better

# DF

Rotary Type Fully Automatic Glasswashing Machine



## SPECIFIER STATEMENT

Specified unit will be Moyer Diebel model DF Rotary Type, fully automatic glasswasher.

Unit will have detergent pump, sanitizer pump and rinse aid pump, standard upper and lower wash/rinse arms, wash tank heater, cold water final rinse, polypropylene conveyor, splash curtain, double-walled construction, storage space for three 1-gallon containers.



Project \_\_\_\_\_  
Item No. \_\_\_\_\_  
Quantity \_\_\_\_\_

MODEL DF GLASSWASHER

### STANDARD FEATURES

- **NEW** 12" glass clearance accepts taller stemware
- **NEW** internal upper drain screen for improved filtration and ease of cleaning
- **NEW** Self flushing rinse chamber reduces maintenance
- Reduced water usage
- Improved shut off mechanism
- Three-pump injection system for precise chemical dispensing
- Upper and lower wash and rinse arms produce sparkling clean glasses every time
- Double walled construction for quieter operation
- Cool final rinse water provides a cool glass ready for immediate use
- An internal shelf provides storage for three, 1-gallon (4 liter) containers
- Polypropylene conveyor eliminates chipping of fine stemware
- Internal rinse water tempering valve

### OPTIONS & ACCESSORIES

- |  |             |
|--|-------------|
| <input type="checkbox"/> Drain tray and waste collector (DF-72)      | P/N 0712734 |
| <input type="checkbox"/> Quick disconnect package (incl. casters)    | P/N 0707258 |
| <input type="checkbox"/> Casters; set of four – 2 locking, 2 regular | P/N 0701962 |
| <input type="checkbox"/> Hand sink and wet waste receiver (SW46)     | P/N 0708453 |
| <input type="checkbox"/> Wash down hose                              | P/N 0701956 |
| <input type="checkbox"/> Site Glass kit                              | P/N 0712993 |

MD005 Printed in U.S.A.

**Moyer Diebel – USA**  
3765 Champion Blvd, Winston-Salem, NC 27105 Tel: 336/661-1992 Fax: 336/661-9546 800/228-8350 www.moyerdiebel.com

**Moyer Diebel Ltd. – Canada**  
2674 North Service Rd., Jordan Station, Ontario, Canada L0R 1S0 Tel: 800/263-5798 Fax: 905/562-4618  
sales@moyerdiebellimited.com



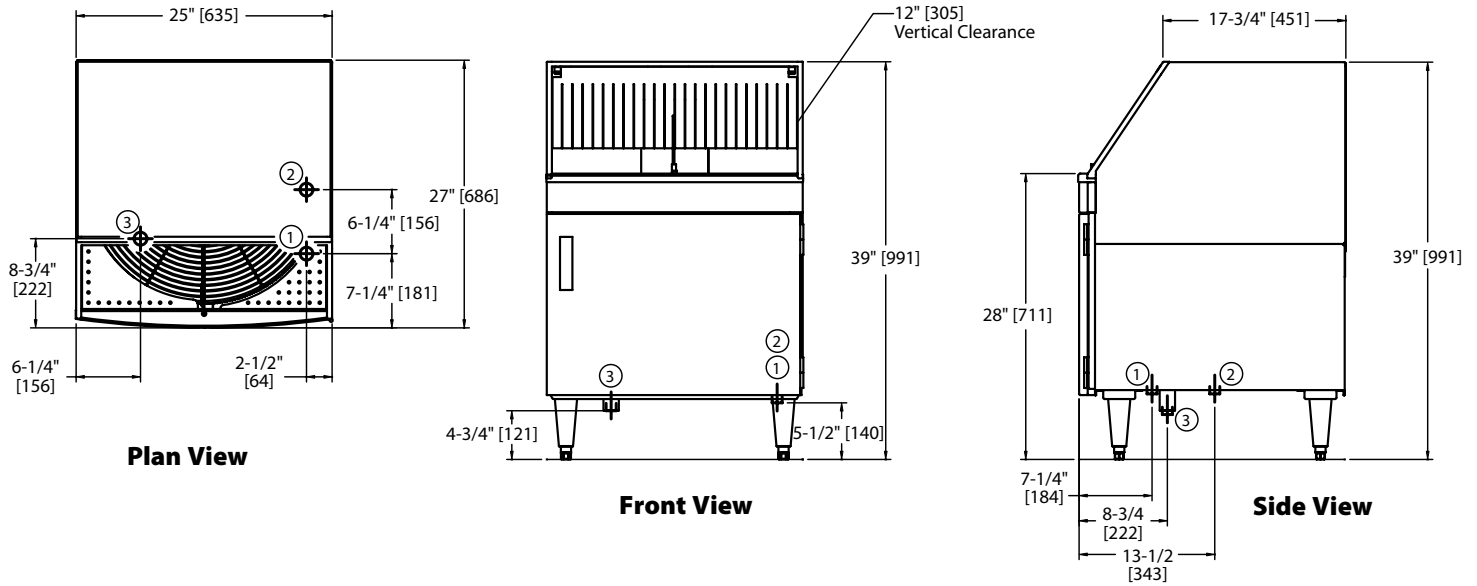


Simply Engineered Better

# DF

Rotary Type Fully Automatic  
Glasswashing Machine

Dimensions shown in inches and [millimeters]



Utilities	
	<b>Electrical</b> 208 - 230/60/1, 15 amp
<b>1</b>	<b>Hot water connection</b> 1/2" [13] IPS. Flow pressure 25-95 psi [172.5-656 kPa]
<b>2</b>	<b>Cold water connection</b> 1/2" [13] IPS. Flow pressure 25-95 psi [172.5-656 kPa]
<b>3</b>	<b>Drain connection</b> 1-1/2" [38] tailpiece. Connect to drain size according to local plumbing code.

**NOTE:** DF Models supplied with 6 ft. [1829] plug in cord. (NEMA 6-15P)

**Warning:** Plumbing and electrical connections must be made by qualified personnel who will observe all the applicable plumbing, sanitary and safety codes.

	Uncrated	Crated
<b>Height</b>	39" [991]	46-1/2" [1181]
<b>Width</b>	25" [635]	27" [685]
<b>Depth</b>	27" [686]	27-1/2" [698]
<b>Ship Wt. lbs/kg</b>	156/71	176/80

\* Adjustable foot height - 11/4" [45]

## SPECIFICATIONS

<b>Capacity (hr.)</b> 2-1/2" [64] glasses	1200
<b>Water Consumption</b> Cold water (approx.)	2.5 US gpm; 9.5 l/m;
Hot water (initial fill)	2.1 imp. gpm 3 US gallons; 11.35 liters;
(Max use - approx. 12 US gph - 10 imp gph)	2.4 imp gallons
<b>Temperatures °F/C</b> Inlet water (hot)	140-160/61-69
Inlet water (cold)	75/24
<b>Heating</b> Tank heat, electric (kW)	3
<b>Conveyor Movement</b>	Clockwise