



Simply Engineered Better

# SW

Pass Through Fully Automatic Glasswashing Machine



SW600

SW400

## SPECIFIER STATEMENT

Specified unit will be Moyer Diebel model SW400 or SW600 pass-through conveyor type glasswasher.

Features include detergent, sanitizer and rinse aid pump, upper & lower wash/rinse arms, cold water final rinse, polypropylene conveyor, two splash curtains, processes 2,000 glasses/hr. Warranty: 1 year parts, 90 day labor.



Project \_\_\_\_\_

Item No. \_\_\_\_\_

Quantity \_\_\_\_\_

SW GLASSWASHING MACHINE

## STANDARD FEATURES

- Highest capacity cleans and sanitizes **2,000 glasses per hour**
- Cool water final rinse ensures steady supply of clean, cool glasses ready for immediate use, reducing labor and breakage
- No steam generated behind the bar
- Automatic operation glass activated shut-off switch
- **Upper** and **lower** wash and rinse arms
- Built-in three pump injection system uses iodine or chlorine sanitizer
- Cabinet provides convenient storage for chemicals
- Polypropylene belt conveyor eliminates chipping of stemware
- Right-to-left or left-to-right operation (please specify)
- Include 6' NEMA 6-15p cord and plug
- One year parts and 90 day labor warranty

## OPTIONS & ACCESSORIES

- |   |   |             |
|---|---|-------------|
| <input type="checkbox"/> SW46C          | – Waste Sink                                    | P/N 0708453 |
| <input type="checkbox"/> SW12           | – S/S splash guards for SW400                   | P/N 0702877 |
| <input type="checkbox"/> SW24           | – S/S splash guards for SW600                   | P/N 0702878 |
| <input type="checkbox"/> SW48           | – S/S back panel for SW400                      | P/N 0702882 |
| <input type="checkbox"/> SW72           | – S/S back panel for SW600                      | P/N 0702886 |
| <input type="checkbox"/> Kit 264        | – Washdown hose                                 | P/N 0701956 |
| <input type="checkbox"/> Kit 332        | – Casters; set of 4,<br>2 locking, 2 stationary | P/N 0701962 |
| <input type="checkbox"/> Site Glass kit |   | P/N 0712993 |
| <input type="checkbox"/> SW47           | – Drain Tray Waste Collector                    |             |

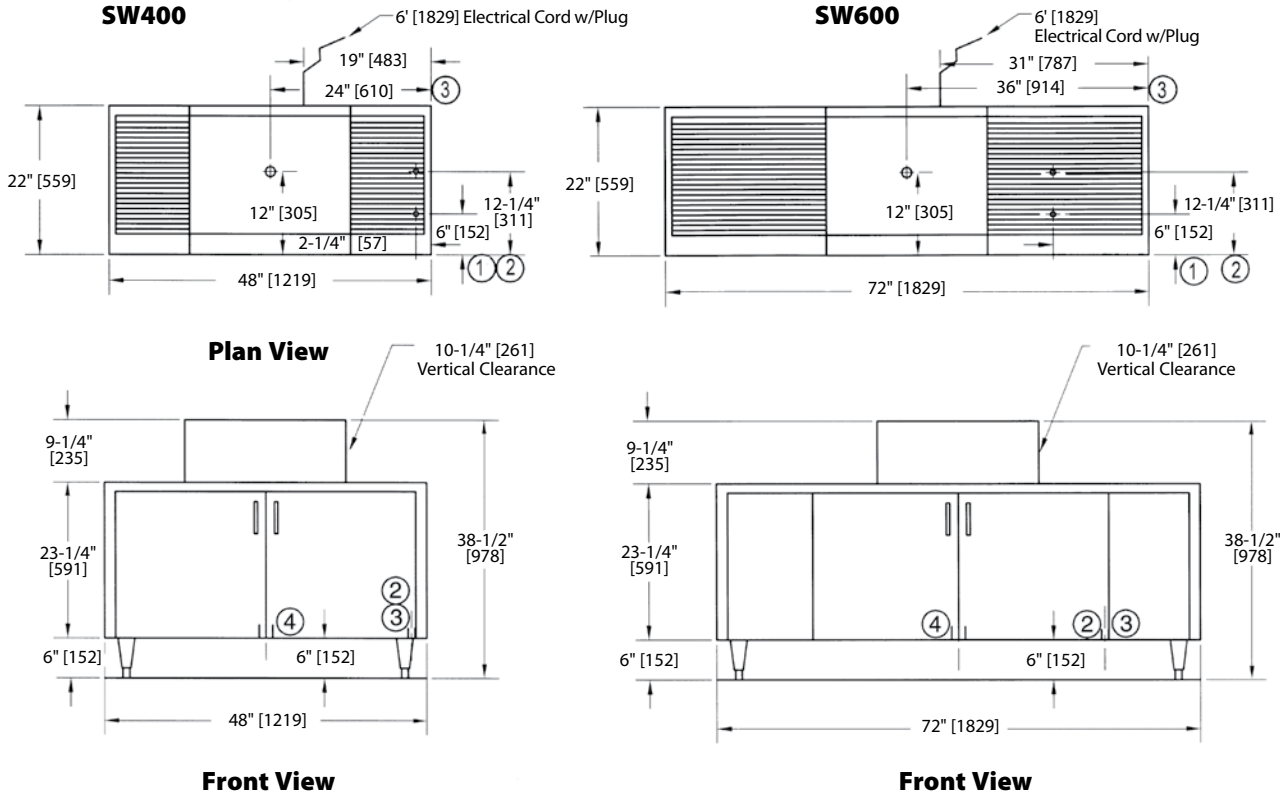


Simply Engineered Better

**SW**

Pass Through Fully Automatic  
Glasswashing Machine

Dimensions shown in inches and [millimeters]



**NOTE:** Both Doors: 21-1/2" [546] High  
22" [559] Wide

| Utilities                      |  |
|--------------------------------|--|
| <b>1 Electrical</b>            | 203-230/50-60/1, 15 amp<br>(Supplied with 4ft. plug-in cord NEMA 6-15P)  |
| <b>2 Hot Water Connection</b>  | 1/2" IPS. Flow pressure 25-95 psi (173-656 kPa)  |
| <b>3 Cold Water Connection</b> | 1/2" IPS. Flow pressure 25-95 psi (173-656 kPa)  |
| <b>4 Drain Connection</b>      | 1/2" IPS. Flow pressure 25-95 psi (173-656 kPa)<br>1-1/2" tailpiece. Connect to drain size according to local plumbing code. |

|                        | Uncrated      |               | Crated        |                |
|------------------------|---------------|---------------|---------------|----------------|
|                        | SW400         | SW600         | SW400         | SW600          |
| <b>Height*</b>         | 38-1/2" [978] | 38-1/2" [978] | 49" [1244]    | 49" [1244]     |
| <b>Width</b>           | 48" [1219]    | 72" [1882]    | 53" [1346]    | 76-1/2" [1942] |
| <b>Depth</b>           | 22" [559]     | 22" [559]     | 27-1/2" [698] | 27-1/2" [698]  |
| <b>Ship Wt. lbs/kg</b> | 225/102       | 285/129       | 255/115       | 325/147        |

\* Adjustable foot height - 1-1/4" [32]

## SPECIFICATIONS

|                          |                              |              |
|--------------------------|------------------------------|--------------|
| <b>Capacity</b>          | 2-1/2" glasses/hr.           | 2000         |
| <b>Water Consumption</b> | Cold water                   | 2.8 US gpm   |
|                          | Hot water (initial fill)     | 3 US gallons |
|                          | (Max. use-approx. 10 US gph) |              |
| <b>Temperatures °F</b>   | Inlet water (hot)            | 140-160      |
|                          | Inlet water (cold)           | 75           |
| <b>Heating</b>           | Tank heat, electric (kW)     | 3            |
| <b>Conveyor</b>          | Speed inches                 | 14           |

**Warning:** Plumbing and electrical connections should be made by qualified personnel who will observe all the applicable plumbing, sanitary and safety codes.