



Simply Engineered Better

MODEL 301HT

Undercounter High Temperature
Dishwashing Machine
with Built-in Booster Heater



SPECIFIER STATEMENT

Specified unit will be Moyer Diebel 301HT undercounter high temperature dishwashing machine with built-in booster.

Features include maximum 13" door opening clearance, standard liquid detergent & rinse-aid dispensing pumps, top and side panels. Unit will have standard pumped drain and rinse-sentry feature to ensure proper 180°F final rinse temperature. Optionally, if required, unit will be supplied in 208-240/60/3 voltage.

1 yr. parts and labor warranty.



Project _____
Item No. _____
Quantity _____

STANDARD FEATURES

- Stainless steel, upper and lower wash and rinse arms.
- Fresh, final rinse water replenishes wash tank water.
- **Rinse-sentry feature.** Ensures proper 180°F/82°C final rinse temperature.
- **Standard** liquid detergent & rinse-aid dispensing pumps.
- Top and side panels.
- Wash tank heater maintains water at required temperature.
- Standard pumped drain, flexible fill and drain lines and standard line strainer for total ease of installation.
- Low .74 US gal. (0.62 imp gal/2.9L) water usage per rack.
- 150 second cycle time. 20 racks per hour capacity.
- 13" [330mm] door opening accommodates cafeteria trays.
- Energy efficient – only 20 or 30 Amp. breaker required for 40°F/22°C rise.
- Complete with two 20" x 20" [508mm x 508mm] racks (one peg and one flat bottom).
- Pressure regulating valve (PRV).
- One year parts and labor warranty.

OPTIONS & ACCESSORIES

- | | |
|---|-------------|
| <input type="checkbox"/> 70°F/39°C rise booster | |
| <input type="checkbox"/> CST- Combination sink/table Machine on right | P/N 403561 |
| <input type="checkbox"/> CST- Combination sink/table Machine on left | P/N 403562 |
| <input type="checkbox"/> Flat bottom dishrack | P/N 101273 |
| <input type="checkbox"/> Peg dishrack | P/N 101285 |
| <input type="checkbox"/> 6" Stand | P/N 0710809 |
| <input type="checkbox"/> 17RS - 17" Stand | P/N 0710852 |
| <input type="checkbox"/> Three phase machine available | |

301HT UNDERCOUNTER DISHWASHER

MD030 Printed in U.S.A.

Moyer Diebel – USA

P.O. Box 4183, Winston-Salem, NC 27115 Tel: 336/661-1992 Fax: 336/661-1979 800/228-8350 www.moyerdiebel.com

Moyer Diebel Ltd. – Canada

2674 North Service Rd., Jordan Station, Ontario, Canada L0R 1S0 Tel: 800/263-5798 Fax: 905/562-4618
sales@moyerdiebellimited.com



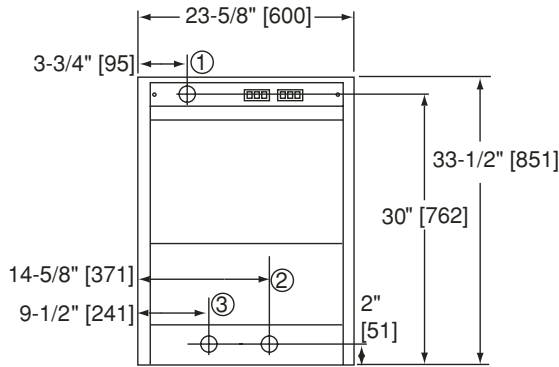


Simply Engineered Better

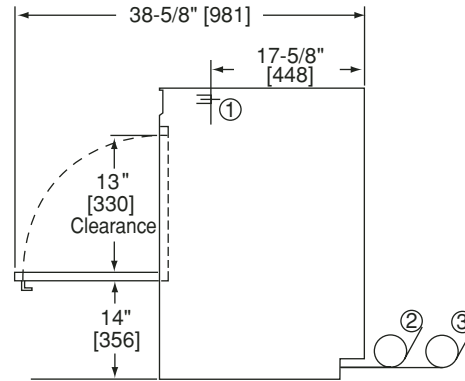
301HT

Undercounter High Temperature Dishwashing Machine with Built-in Booster Heater

Dimensions shown in inches and [millimeters]



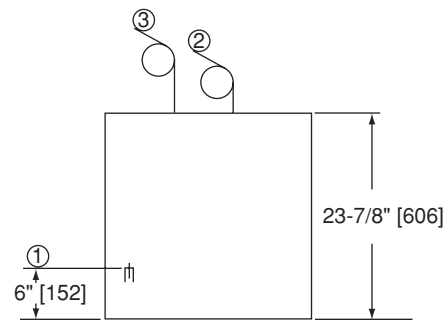
Front View



Side View

	Uncrated	Crated
Height*	33 1/2" [851]	39-1/2" [1003]
Width	23-5/8" [600]	25" [635]
Depth	23 7/8" [606]	25-1/2" [647]
Ship Wt. lbs/kg	148/67	165/75

* Front leveling feet provided.



Plan View

SPECIFICATIONS

Capacity		
NSF Racks per hr.		20
Motor Horsepower		
Wash		1
Water Consumption		
Gal. per hr. (max. use)		
US gal. (imp. gal./liters)	14.6 (55/12)	
Gal. per rack		
US gal. (imp. gal./liters)	.74 (2.9/.62)	
Temperatures °F/C		
Wash (minimum)	150/66	
Rinse (minimum)	180/82	
Heating		
Tank heat, electric (kW)	2	
Electric booster		
(kW required for 40°F/22°C rise)	4	
(kW required for 70°F/39°C rise)	6	
Time Cycle in Seconds		
Wash	120	
Rinse	15	
Dwell	15	
Total	150	

Utilities

- Electrical**
208-240/60/1 or (optional 3 phase); hard wiring required (see boxes below)
- Hot Water**
140°F/60°C Min., connection for 40°F/22°C rise booster.
110°F/43°C Min., connection for 70°F/39°C rise booster.
6 ft. long 1/2" I.D. flexible fill hose with 3/4" hose connector.
Flow pressure: 18-22 psi (124-152 kPa), PRV supplied
- Drain Connection**
6 ft. long, 3/4" I.D. flexible hose.
Max. drain flow: 8 US gpm; 30 lpm; 7 imp. gpm

301HT with 40°F Rise Electric Booster

Elec. Specs.	Rated Amps	Minimum Supply Circuit Ampacity	Maximum Overcurrent Protective Device
208/60/1	21	30	30
230/60/1	22	30	30
*208/60/3	14	20	20
*230/60/3	15	20	20

* Special Order Only

301HT with 70°F Rise Electric Booster

Elec. Specs.	Rated Amps	Minimum Supply Circuit Ampacity	Maximum Overcurrent Protective Device
208/60/1	28	40	40
230/60/1	31	40	40
*208/60/3	19	25	25
*230/60/3	20	25	25

Warning: Plumbing and electrical connections should be made by qualified personnel who will observe all the applicable plumbing, sanitary and safety codes.