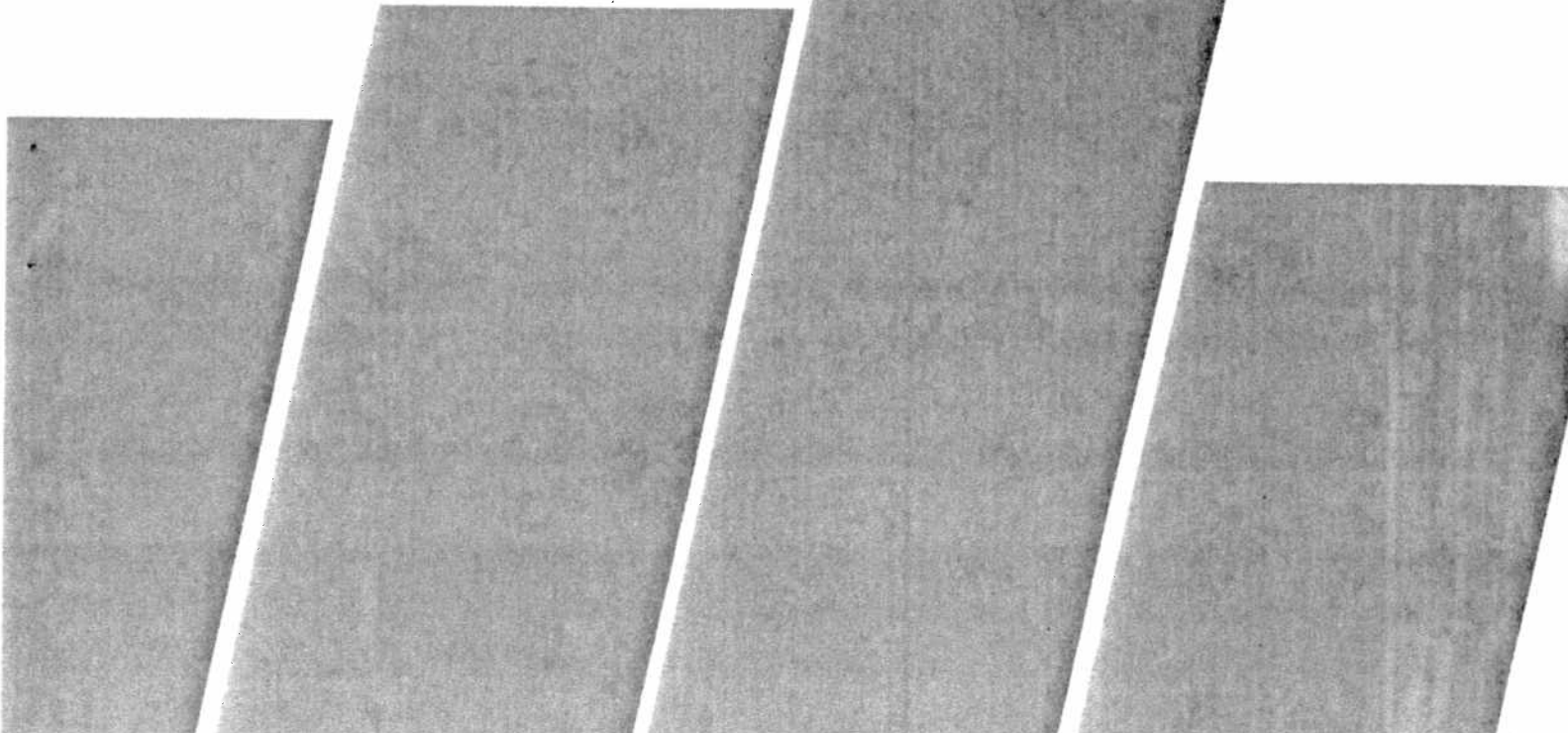




Service Parts

500TM2

**Simply
Engineered
Better**





WARRANTY

DF **SW400** **SW800** **500T** **500HT**

Glass and Warewashers manufactured by Moyer Diebel are warranted to the original purchaser as follows:

They shall be free of defective parts and workmanship and if fault is found, the defective part shall be repaired or replaced at the option of Moyer Diebel if notice is given within 12 months of the date of shipment from the factory.

In addition to the parts and workmanship warranty, Moyer Diebel warrants to the original purchaser of glasswashers, that for those glasswashers installed within an area (50 mile/80 km radius) normally serviced by a Moyer Diebel authorized service agent; to provide free installation of parts for the first 90 days following the installation date accepted by Moyer Diebel and to provide free installation of parts for the first year following the installation date accepted by Moyer Diebel for the 500TM2 and 500HT models.

These warranties are subject to:

1. No accident, misuse, or abuse befell the machine, and the handbook was read and its instructions followed.
2. After the 90 day period defined above, for glasswashers, the defective part(s) is returned to the service agent or factory F.O.B. destination, whereupon parts determined to be defective, under the terms of the warranty, by a factory engineer, shall be repaired or replaced and the item returned to the purchaser.
3. The above labour and parts coverage is applicable from the date of start-up accepted by Moyer Diebel and only if start-up was performed by an authorized Moyer Diebel service agent. If start-up date not advised, invoice date applies. Start-up must be performed within 10 days of installation. Shipment of warranty parts will be sent by Moyer Diebel's normal procedure. Shipments such as air freight, or next day delivery will be the responsibility of the party requesting the service.

(START-UP FOR 500 SERIES OPTIONAL IN U.S. ONLY)

4. ADJUSTMENT OF CHEMICAL FEEDERS, WATER AND THERMOSTAT LEVELS ARE NOT COVERED UNDER WARRANTY SERVICE. ADVISE ACCOUNT TO CONTACT CHEMICAL SUPPLIER.
5. CLEANING OF DRAINS, SPRAY TUBES, SCREENS, ETC. ARE THE RESPONSIBILITY OF THE MACHINE LOCATION'S STAFF AND NOT COVERED BY WARRANTY.
6. Failure to keep thermostats and chemical feeders properly adjusted; drain, spray tubes and screens clean, may void the warranty.
7. Service calls due to neglect of cleaning, maintenance, or abuse during warranty period will **NOT** be covered by Moyer Diebel, but must be the responsibility of the party requesting the service.
8. Charges above the Authorized Service Agency's normal rates (such as overtime) are to be billed to the party requesting service.
9. The above warranty coverage applies only in areas normally covered by an Authorized Service Agency.
10. Travel charges such as time and mileage for service calls made outside the normal area of coverage (50 miles or 80 km) of the Authorized Service Agency is the responsibility of the party requesting service.

No liability may be assumed for consequential damage to other parts from failure to repair or replace defective parts.

Use of chemical feed systems not furnished or authorized by Moyer Diebel voids the warranty.

Use of parts not supplied by Moyer Diebel to repair Moyer Diebel equipment voids the warranty.

Use of parts supplied by Moyer Diebel and used on machines of other manufacturers voids the parts warranty.

The obligations of the company are limited to statute, common law otherwise and the company, its servants and agents shall not be liable for any claims for personal injuries or consequential damage or loss, howsoever caused.

This is the sole warranty of the manufacturer, despite any other representation implied or expressed by any person, company or corporation connected in any way with the manufacturer.

MOYER DIEBEL
PRODUCT WARRANTY
NEW MACHINES

UNDER COUNTER WARE WASHERS

All Ware Washer models manufactured by Moyer Diebel are warranted to the original purchaser as follows:

They shall be free of defective parts and workmanship and if fault is found, the defective part shall be repaired or replaced at the option of Moyer Diebel if notice is given within 1 year of the date of start-up as shown on the start-up certificate, provided that date does not exceed 12 months from shipment from the factory.

In addition to the parts and workmanship warranty, Moyer Diebel warrants to the original purchaser; that for those washers installed within an area (50 mile/80 km radius) normally serviced by a Moyer Diebel authorized service agent; to provide free installation of parts during normal business hours for **ONE CALENDAR YEAR** following the installation date accepted by Moyer Diebel.

GLASS WASHERS

All Glass Washer Models have a limited warranty application. All Glass Washer components shall be free of defective parts and workmanship and if fault is found, the defective part shall be repaired or replaced at the option of Moyer Diebel if notice is given within 12 months of the date of shipment from the factory.

In addition to the parts and workmanship warranty, Moyer Diebel warrants to the original purchaser; that for those washers installed within an area (50 mile/80 km radius) normally serviced by a Moyer Diebel authorized service agent; to provide free installation of parts for the first **90 DAYS** following the installation date accepted by Moyer Diebel.

REPLACEMENT PARTS

Replacement parts are warranted for 90 days from date of installation, or to the end of the original machine warranty, whichever date occurs last, when installed by an authorized service agency or approved by the factory. Warranty does not apply when replacement part is installed by others.

500TM2 WAREWASHER
INSTALLATION/ OPERATION/ PARTS MANUAL

TABLE OF CONTENTS

500TM2 SPECIFICATIONS	1
500TM2 SCHEMATIC	2
INSTALLATION	
PREPARATION	3
WATER	3
DRAIN	3
ELECTRICAL	4
OPERATION	
OPERATING INSTRUCTIONS	4
DRAINING THE MACHINE	5
CHEMICAL SETTINGS	6
CLEANING THE MACHINE	7
DESCALING	8
CHEMICAL INJECTORS	8
TROUBLE SHOOTING	
1. WAREWASHER WILL NOT OPERATE	9
2. WASH WELL UNDERFILLS	9
3. WASH WELL OVERFILLS	10
4. WASH WELL DOES NOT DRAIN PROPERLY	10
5. WASH WELL CONTINUALLY FILLS WHEN UNIT IS NOT OPERATING ...	11
6. WASH TEMPERATURE BELOW MINIMUM RECOMMENDED	11
7. CHEMICAL NOT FEEDING	12
8. DISHES DO NOT WASH PROPERLY	12
PARTS	
DOOR COMPLETE	14
FRAME COVER	16
FRAME	18
TANK	20
VERTICAL PUMP	22
CONTROL BOX	24
CHEMICAL INJECTOR	26
CHEMICAL SENSOR SWITCH	28

STARTING AT SERIAL NUMBER 1711

REV. C

0505610

MOYER DIEBEL

P.O. BOX 4183
WINSTON-SALEM, N.C.
27115

1-800-228-8350 1-919-723-2289

MOYER DIEBEL

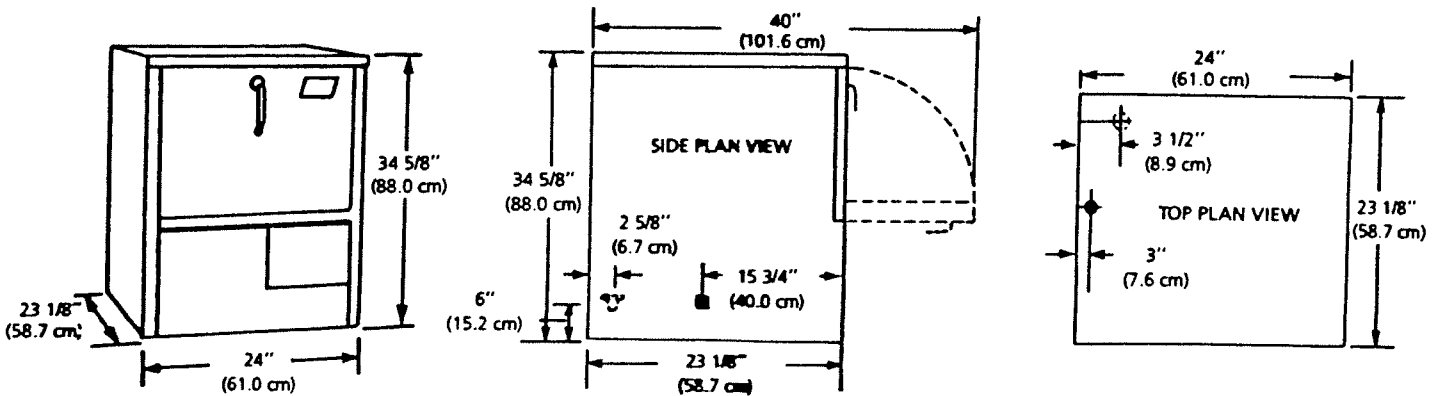
P.O. BOX 301, Q.E.W
JORDAN STATION, ONT
L0R 1S0

416-562-4195 FAX 416-562-4618

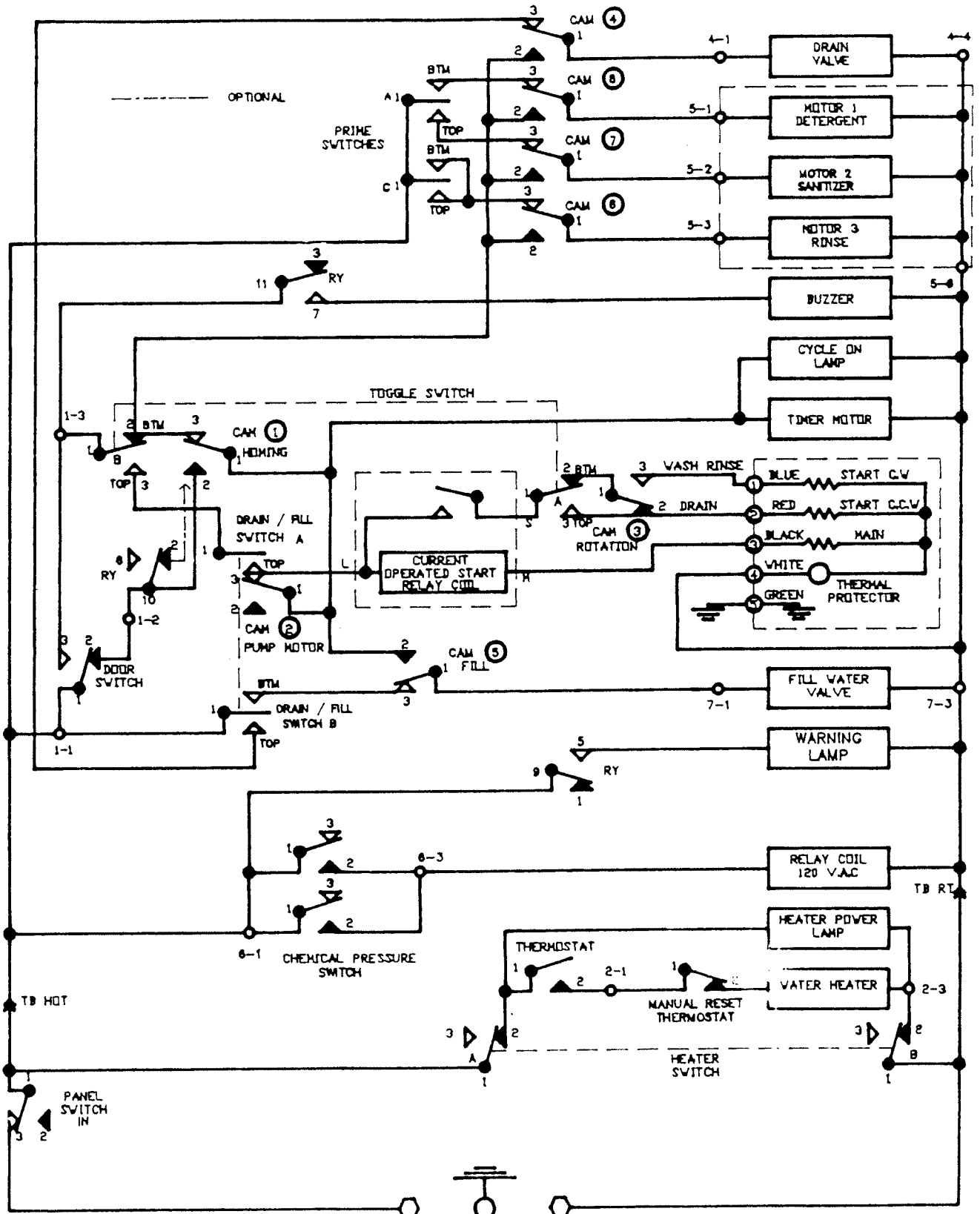
500TM2 SPECIFICATIONS

DIMENSIONS	A 34 5/8" (87.9 cm) B 24" (61.0 cm) C 23 1/8" (58.7 cm)
SHIPPING	180 lbs. crated (81.8 kg.)
WATER INLET	1/2" I.P.S. female
WATER REQUIREMENTS	Flow Rate - 3.3 Imp Gal 4 US Gal (15.1 L)/ min. Pressure - Min. 20 lbs., Max. 90 lbs. Temperature - Minimum 140 F (60 C).
ELECTRICAL REQUIREMENTS	Single Parallel Blade "U" Ground Receptacle, 115 V, 60 Hz. Single Phase Fused at 15 AMP.
MOTOR	1/2 H.P., 6.8 AMPS, 115 V, 60 Cycles, 1 Ph.
DRAIN	1 1/2" (3.8 cm) Tailpiece
WATER CONSUMPTION	Less than 7 quarts (8 litres) per Cycle.
HEATER	750 Watts
CYCLE	140 secs. automatic
CHEMICAL INJECTORS	Detergent - 450 cc/min. (Optional) Sanitizer - 40 cc/min. (Standard) Rinse - 40 cc/min. (Standard)
ACCESSORIES	One Plate Rack One Combination Rack - 19 3/4" x 19 3/4" (50.2 cm x 50.2 cm)

INSTALLATION INFORMATION - PLUMBING



500TM2 SCHEMATIC



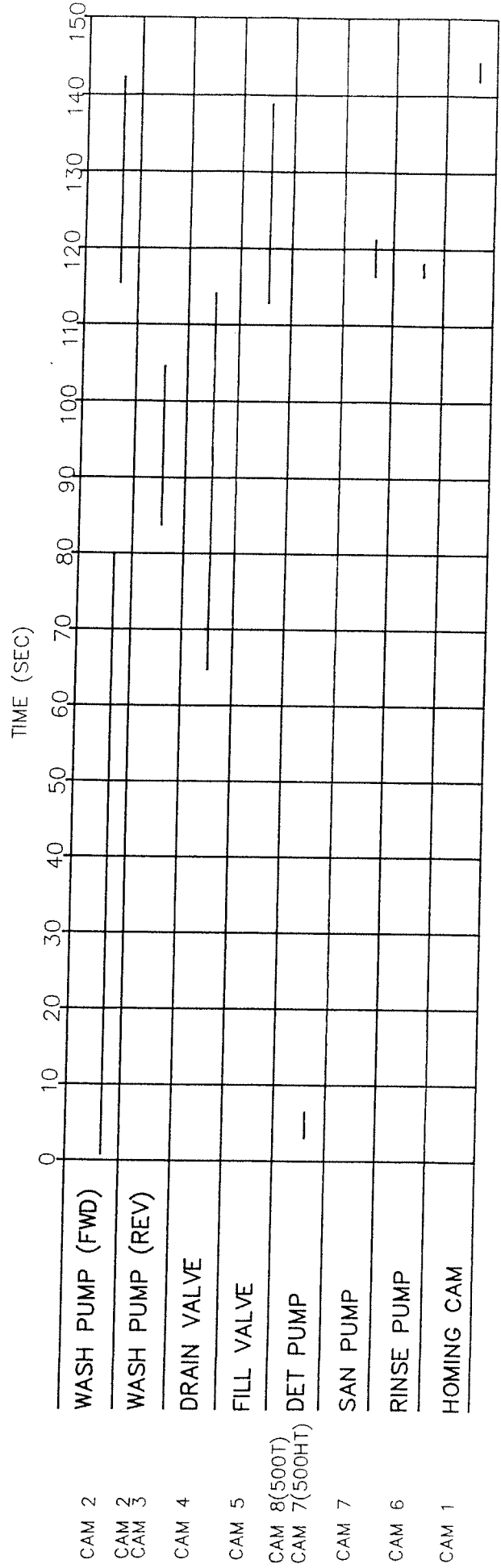
DRAWN BY HS
 CHECKED BY
 DATE SEPT 11-87
 0606337 REV C
 EFFECTIVE AT SERIAL NO

115V 60Hz NEUTRAL

500T M2

0506337

030TCH



RELEASED TO PRODUCTION	BY	DATE
REV ECN	DESCRIPTION	CH

MOYER DIEBEL LIMITED

500T\HT TIMING CHART

DRAWING NO.

030TCHT

TOLERANCE	HOLE DIMENSIONS					ISSUED
DECIMAL	A	F				DR.
ANGLE	B	G				CH.
SCALE	C	H				RTG.
	D	J				
	E					

FORMING DIMENSIONS ARE FROM BRAKELINE TO BRAKELINE UNLESS OTHERWISE NOTED

**500TM2 WAREWASHER
PREPARATION**

The 500TM2 Warewasher must be installed on a level, rigid surface. Use the front leveling feet to ensure that the machine is level from front to back. Allowance is to be made for water and drain lines to the unit. When situated, the machine must be completely sealed to the floor using a good grade of silicone sealant.

Area allowance - Width 24" (61.0 cm)
 Height 34 5/8" (87.9 cm)
 Depth 23 1/8" (58.7 cm)

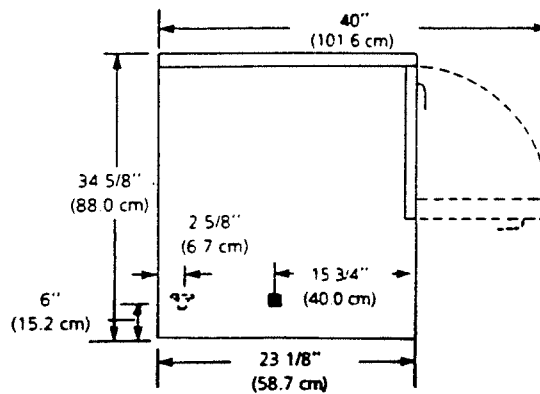
Remove the packing and dishware racks from the interior of the 500TM2 warewasher.

WATER

Install a shut off valve between the supply and the dish-washer in an accessible location. Connect the 500TM2 Warewasher to the hot water supply. The incoming water temperature is 140 F (60 C) minimum and 160 F (71.1 C) maximum. Flow rate is 3.3 Imp gal., 4 US gal (13.6 L) per minute.

Flow Pressure - Minimum 20 psi
 - Maximum 90 psi

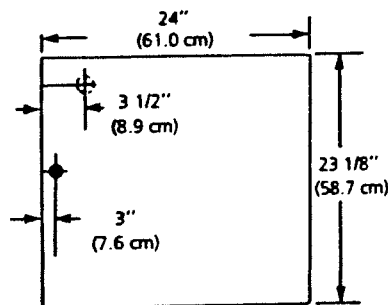
SIDE PLAN VIEW



DRAIN

Connect to 1 1/2" (3.82 cm) tailpiece per local plumbing code. Removable access covers are located on either side of the 500TM2 for drain and water line connection. Drain piping must be installed lower than the drain tailpiece and properly sloped to provide gravity drainage.

TOP PLAN VIEW



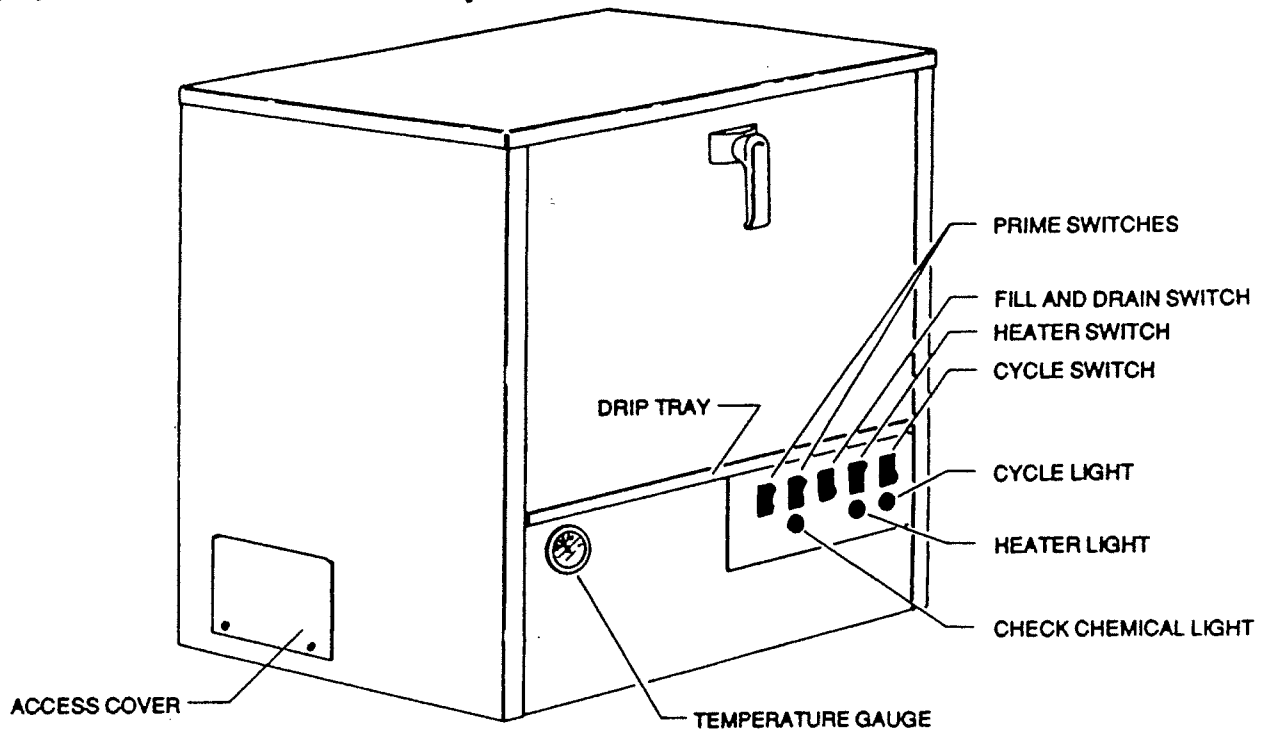
500TM2 WAREWASHER ELECTRICAL

Have the heater switch and start switch in "OFF" position. The 500TM2 has a six foot (1.8 m) power cord with a "U" ground parallel blade plug. Provide a 115 V, 60 Hz, Single Phase, 15 Ampere grounding receptacle in an accessible location within four feet of the warewasher. This should be installed by a qualified electrician in accordance with the local electrical code specifications.

OPERATING INSTRUCTIONS

1. Heater switch is "OFF", start switch is "OFF".
2. Remove all packing material and dishracks from the interior of the warewasher.
3. Ensure screen assemblies are in their proper locations.
4. Place detergent, (if equipped with optional liquid detergent feeder), sanitizer and rinse feed lines in their respective product containers.
5. With the door open, plug the machine in.
6. With the door open, prime each chemical until the fluid is seen dripping from the fill hole inside the machine (left side of wash compartment, above scrap screens).
7. "Check Chemical" light should go out when both detergent (if so equipped) and sanitizer systems are fully primed.
8. With the door open, press and hold the "FILL" switch until the water level covers the scrap screen assemblies in the wash area, (see page 8).
9. Turn on the "HEATER" switch.
10. Turn on the "START" switch.
11. Pre-scrap or pre-flush all heavy soils from the dishware before loading them into the machine.
12. If not equipped with optional detergent feeder, add approximately 1 tablespoon powdered detergent into machine.
13. Load the pre-scraped dishware.

14. Closing the door will start the cycle, which is timed and automatic. There is a slight delay before the wash motor starts.
15. The amber cycle light will indicate that the warewasher is in cycle.
16. When the cycle light is "OFF", the cycle has been completed.
17. Open the door, and remove the clean dishware.
18. The door handle must be left in open position for 3 seconds to allow the automatic cycle to reset.



SIDES & TOP ARE OPTIONAL

Note: After the initial fill, all following cycles are automatic, just load, close the door and place door handle in locked position to start cycle.

DRAINING THE MACHINE

1. Turn the "Start" switch to "Off".
2. Turn the "Heater" switch to "OFF".
3. Close the door.
4. Push the drain switch and hold until all of the water has been drained. This should take about 20 to 25 seconds.

SAFETY FEATURES

The warewasher will not operate with the door open. Close the door and turn the handle down until it reaches the stop position.

500T/HT DAILY MAINTENANCE

Scheduled preventive maintenance practices will greatly increase the efficiency of your machine. A machine that is well maintained will not break down as frequently as one which receives only occasional care. A small investment of a few minutes each day will pay you dividends in the form of many trouble free hours of faithful service.

The best maintenance you can give your dishwashing machine is to keep it clean. By periodically cleaning and flushing the machine, you can add greatly to its life expectancy. The components of a machine that suffers from neglect will soon clog up and become inoperative.

CLEANING INSTRUCTIONS

1. Turn cycle switch off
2. Turn heater switch off
3. Press and hold drain button, MAKE SURE DOOR IS CLOSED, and the handle is in locked position. Hold drain button until wash well is empty (Approximately 20 to 25 seconds).
4. Release drain button, open door, remove wash arms, LH-RH scrap screen assy., and screen support assembly.
5. Empty and clean scrap screens, and screen support assembly. Failure to keep screens clean will result in poor wash results and could prevent proper draining during cycle.
6. Wash down the interior of the unit with a mild soap solution, flush and drain, then wipe down with a clean cloth.
7. Replace the screen support assembly, the scrap screens and the washarms. Do this in the order listed.
8. Close door, remove drip tray, clean and replace.
9. At the end of the work day, after completing steps 1 to 8 leave door partially open to allow the machine wash tank to air dry overnight.

NOTE: THE WASH TANK SHOULD BE LEFT EMPTIED OVER NIGHT.

DESCALING

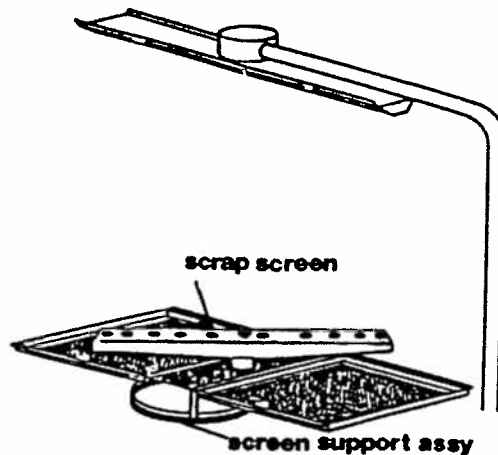
Descaling the warewasher interior may be necessary in areas with hard water. General descaling can be done by spraying a descaling chemical directly onto the scaled surface until the scale is removed, then flush with fresh water.

To descale the interior wash well, fill the wash well with fresh hot water to the normal water level or higher. Pour in the amount of descaler recommended by your chemical supplier (usual amount is 1 to 2 cups), and allow it to sit for no longer than half an hour. Drain, and flush with fresh hot water and drain again.

NOTE: Descaling chemicals are to be used with caution. Consult your chemical supplier for the proper use and handling instructions.

IMPORTANT

Do not operate the warewasher with the screen assemblies covered with food particles. Keep the screens clean. Pre-scraping or pre-flushing of dishware to remove heavy, loose particles of food is recommended. Failure to keep screens clean will result in poor wash results and could prevent proper draining during cycle.



CHEMICAL INJECTORS

The built-in Chemical Injectors will provide accurate dispensing and reliable operation. (Detergent feeder optional).

It is recommended that fresh hot tap water be flushed through the chemical feed tubes once a week to prevent a chemical coating from forming inside the tubing.

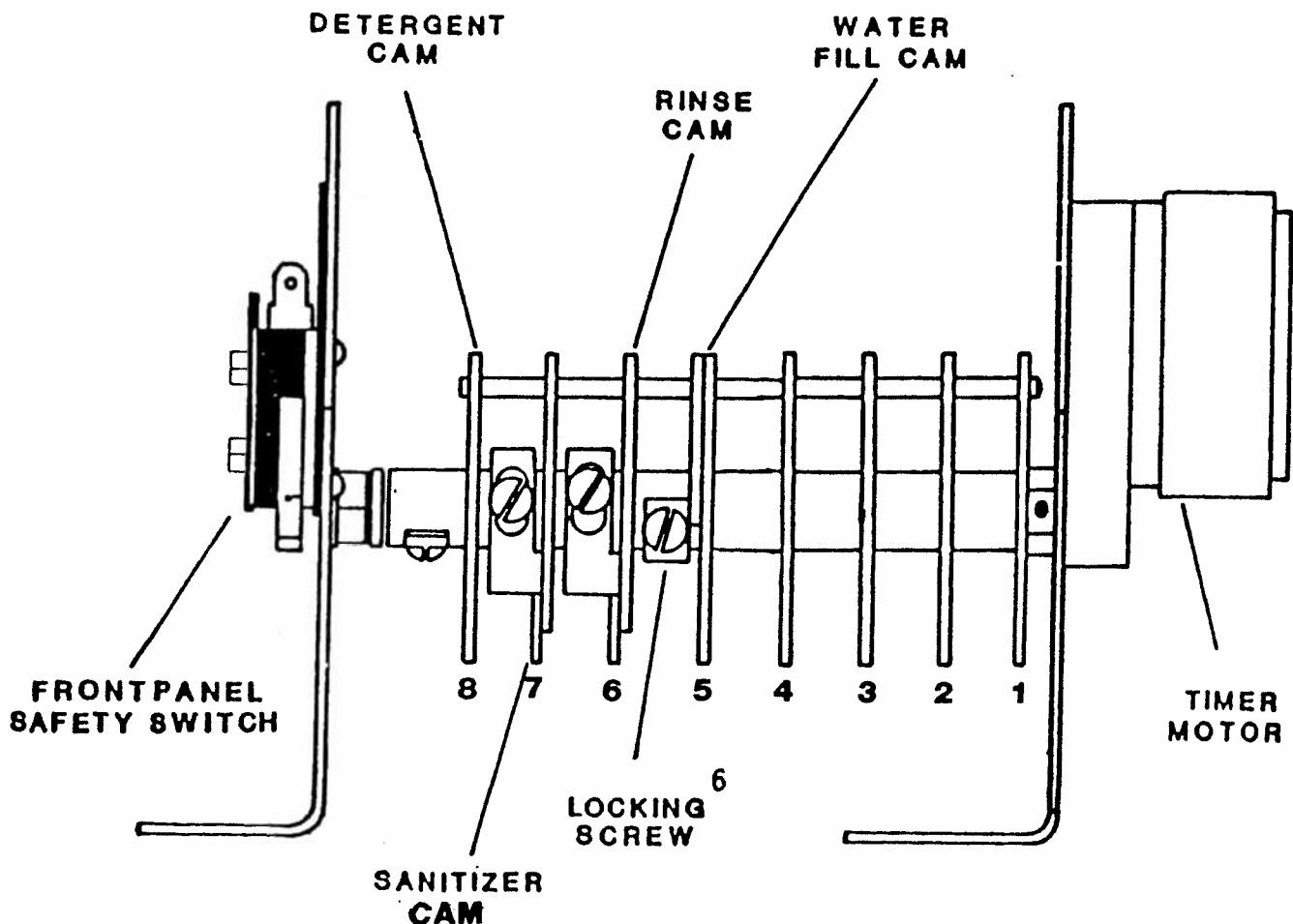
This is done by placing the tubes in a container of hot water and holding the respective prime switch until the chemical lines have been thoroughly flushed.

Visually inspect the hoses for possible leaks. If the hoses are in need of repair, contact your authorized service agent. Return the chemical feed lines to their proper chemical container and reprime them with chemical as described in step 6, on page 4.

500TM2 WAREWASHER CHEMICAL SETTINGS

To adjust the chemical concentration, do the following:

1. Remove the drip tray.
2. Remove the top left hand screw from the control box to allow the front panel to hinge forward.
3. Rotate the cam st by pushing the top of the cams towards the back of the warewasher until the locking screws onthe adjustable cams are accessible.
4. Loosen the screw for the chemical to be adjusted and increase or decrease the gap as desired.
5. Tighten the locking screw.
6. Replace the front panel mounting screw and the drip tray.
7. Operate the machine.



500TM2
TROUBLE SHOOTING

1. WAREWASHER WILL NOT OPERATE

CAUSE	REMEDY
1. Power cord not plugged into power outlet	1. Plug into outlet.
2. No power.	2a. Check main "POWER" switch is in "ON" position. b. Check electrical panel for blown fuse or tripped circuit breaker.
3. Door not closed.	3. Ensure door is closed and door handle is turned down until it reaches stop position. Check door locking cam is properly positioned and secured to door handle shaft.
4. Door switch out of adjustment or defective.	4. Reposition switch or replace handle.
5. Cycle not resetting.	5a. Unlatch door handle for full 3 seconds to allow cycle timer to reset. b. Replace homing cam switch. c. Loose set screw on cam assy. - tighten screw d. Defective door switch - replace e. Defective cycle switch - replace

2. WASH WELL UNDERFILLS

CAUSE	REMEDY
1. Fill cam #5 on timer control shift out of adjustment.	1. Reset fill cam to provide proper time to fill to screen level.
2. Insufficient water pressure	2. Check water line pressure. Ensure recommended flow rate and pressure is provided.
3. Defective solenoid coil.	3. Replace the coil.
4. Filter screen in the solenoid plugged.	4. Clean the screen.

5. Defective water switch on timer.

5. Replace the switch.

6. Drain solenoid valve leaking.

6. Clean debris from valve seat or replace drain solenoid.

3. WASH WELL OVERFILLS

CAUSE

REMEDY

1. Screen assemblies covered with foreign matter preventing complete removal of wash water during drain cycle.

1. Keep screen assemblies clean at all times.

2. Fill cam #5 on timer out of adjustment.

2. Reset fill cam to provide proper time to fill to screen assemblies.

3. Pump plugged with foreign matter.

3a. Clean out wash well and pump.
b. Clean pump intake screen.

4. Drain solenoid blocked or not opening.

4. Clean obstruction or replace drain solenoid.

5. Main drain piping blocked.

5. Have piping unplugged.

4. WASH WELL DOES NOT DRAIN PROPERLY

CAUSE

REMEDY

1. Manual drain switch or pump motor cam switch in control panel faulty.

1. Replace the defective switch.

2. Pump plugged with foreign matter.

2. Remove foreign matter from pump intake screen and/or pump assy.

3. Defective pump impeller.

3. Replace the impeller.

4. Defective pump motor.

4. Replace the motor.

5. Screen assemblies covered with foreign matter preventing wash water return to pump.

5. Keep screen assemblies clean at all times.

6. Main drain plugged.

6. Clear obstruction from drain.

- | | | | |
|----|--------------------------------|-----|--|
| 7. | Drain solenoid will not open. | 7a. | Solenoid coil defective - replace |
| | | b. | Solenoid power cord unplugged from rear of control box - replug. |
| | | c. | Drain arm broken or disconnected replace drain valve assembly. |
| 8. | Drain solenoid will not close. | 8a. | Drain mechanism jammed with soils - clean. |
| | | b. | See 7c. |
| 9. | Drain hose blocked or kinked | 9. | Replace hose |

5. WASH WELL CONTINUALLY FILLS WHEN UNIT IS NOT OPERATING

CAUSE

REMEDY

- | | | | |
|----|---|----|---|
| 1. | Dirt under seat of solenoid or worn seat. | 1. | Clear seat of obstruction, replace solenoid valve if necessary. |
| 2. | Manual fill switch defective | 2. | Replace manual fill switch. |

**6. WASH WATER BELOW MINIMUM RECOMMENDED TEMPERATURE
(140 F - 60 C)**

CAUSE

REMEDY

- | | | | |
|----|---|-----|---|
| 1. | Thermostat set too low. | 1. | Increase temperature by turning thermostat control clockwise. |
| 2. | Defective thermostat. | 2. | Replace the thermostat. |
| 3. | Defective heater. | 3. | Replace the heater. |
| 4. | Manual reset tripped on wash tank limit thermostat. | 4. | Push reset button on thermostat. |
| 5. | Water supply temperature from the hot water tank too low. | 5a. | Hot water tank too small - replace with properly sized tank. |
| | | b. | Thermostat control on hot water tank set too low - adjust to correct setting. |
| | | c. | Heater element in hot water tank defective - replace element. |

7. CHEMICAL NOT FEEDING

CAUSE	REMEDY
1. No chemical in container.	1. Replace with full container.
2. Feed lines to and from chemical pump plugged.	2. Clear obstruction, flush lines with hot water.
3. Screen on feed line plugged.	3. Clean.
4. Chemical feeder defective.	4. Repair or replace chemical feeder
5. Defective injector pump.	5. Repair or replace the pump.
6. Chemical feeder system system not plugged into electrical receptacle.	6. Plug in.
7. Tubing kinked or split.	7. Unkink tubing or replace.
8. Worn Rotor	8. Replace rotor
9. Element tube split or loose hose clamps or ties.	9. Replace element tube

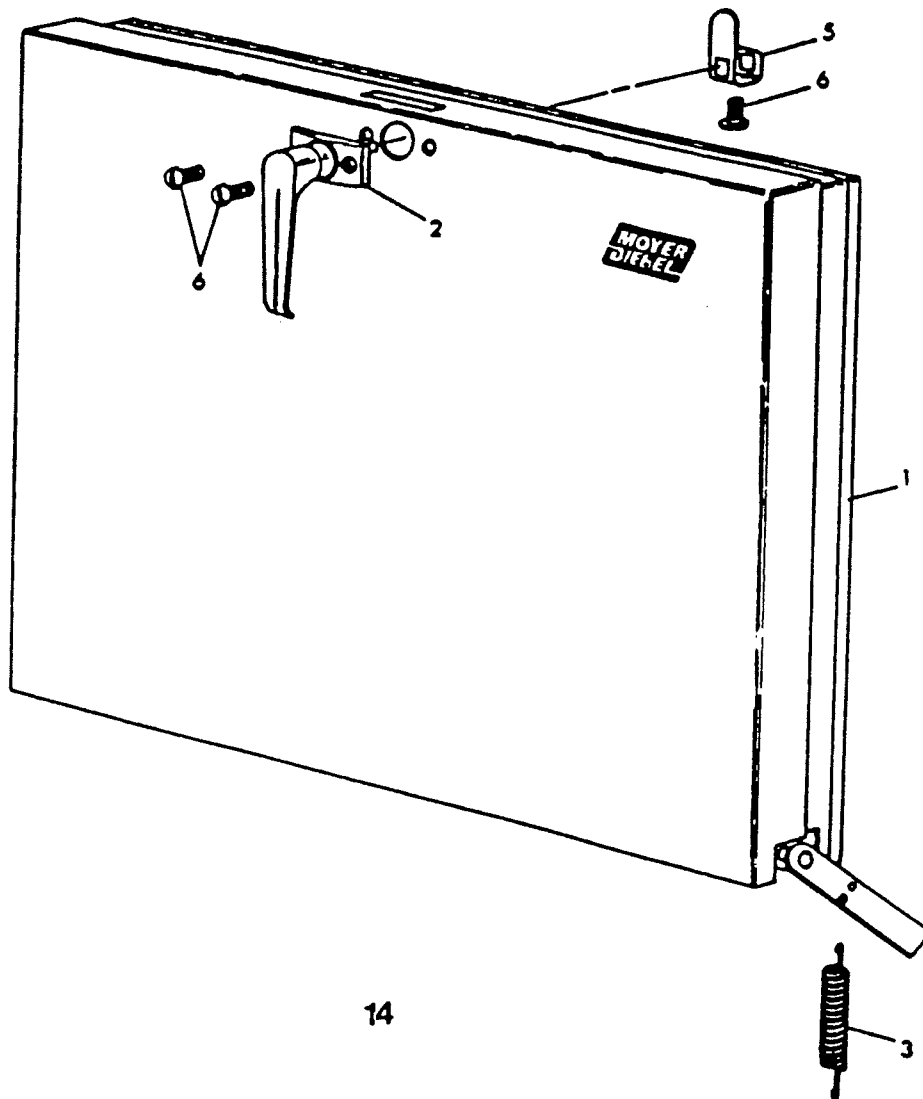
8. DISHES DO NOT WASH PROPERLY

CAUSE	REMEDY
1. Improper concentration or type of detergent being used in wash well.	1. Check with a qualified product representative for proper concentration and type of product to be used for local water conditions. Wash well holds 7 qts. (8 L) of water when at screen assembly level.
2. Overloading of dishware in dishrack.	2. Space dishware in dishrack allowing room for water to circulate through dishware.
3. Insufficient water in wash well.	3a. Re-adjust fill cam to bring level to screen assemblies. b. Check line flow rate and pressure.
4. Wash arms not turning.	4. Remove obstruction such as cutlery or clean spray nozzles and sprayarm support.

- | | |
|---|---|
| <ul style="list-style-type: none"> 5. Pump not operating. 6. Defective pump impeller. 7. Defective pump motor. 8. Wash water temperature too low. | <ul style="list-style-type: none"> 5. Ensure that snap type electrical connector is secure. 6. Replace the impeller. 7. Replace the pump motor. 8a. Must be not less than 140 F (60 C) and not higher than 160 F (71.1 C) for best wash results. b. Check wash tank heater is switched "ON" and thermostat is properly set. c. Wash tank thermostat is defective - replace. d. Booster not providing 180 F water. Check booster. See Section 9. <p style="margin-left: 40px;">If capacity insufficient, install the correct size hot water tank.</p> |
| <ul style="list-style-type: none"> 9. Worn sprayarm locator. 10. Pump intake or scrap screens blocked. 11. Lime scale build up | <ul style="list-style-type: none"> 9. Loss of wash water pressure due to worn spray arm locator - replace locator. 10. Clean pump intake screen and scrap screens. 11. Descale warewasher regularly using the proper descaling chemical. Contact your chemical supplier for the proper product and use directions. |

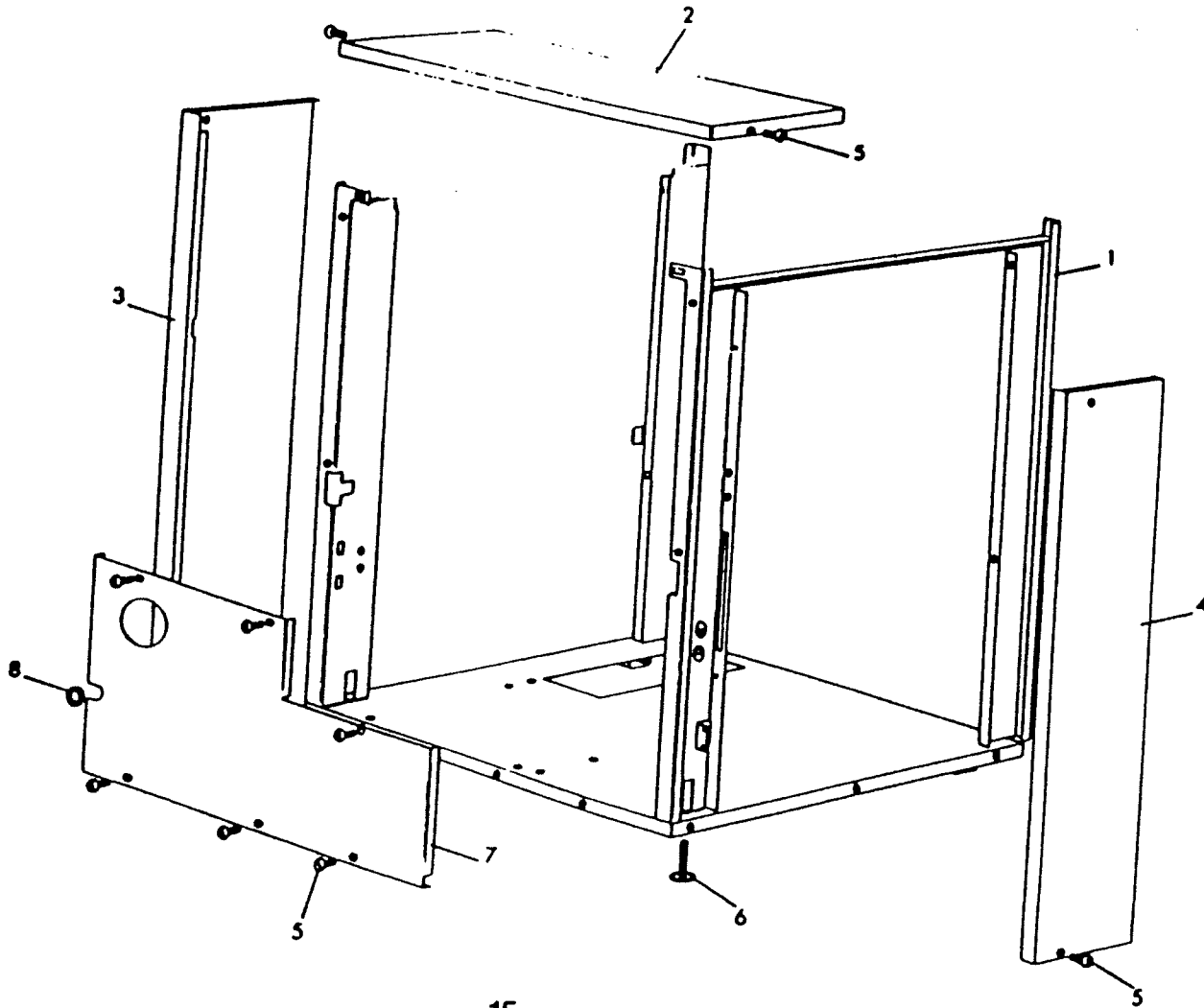
- | | | | |
|----|---------|---|------------------------------|
| 1. | 0700308 | 1 | DOOR WELDED ASSEMBLY |
| 2. | 0501922 | 1 | DOOR HANDLE |
| 3. | 0503715 | 2 | DOOR EXTENSION SPRING |
| 5. | 0700115 | 1 | DOOR CAM ASSEMBLY |
| 6. | 0501413 | 3 | #10-32 x 3/8" RH SS MC SCREW |

DOOR COMPLETE



1.	0705516	1	FRAME WELDED ASSEMBLY
2.	0306141	1	TOP TRIM
3.	0306140	1	LH SIDE TRIM
4.	0306139	1	RH SIDE TRIM
5.	0501412	22	#10-32 x 3/8" TH SS MC SCREW
6.	0503718	2	ADJUSTING FOOT
7.	0305066	1	FRONT PANEL
8.	0503716	1	GROMMET
9.	0300304	1	TOP PANEL (OPTIONAL) (N.S.)
10.	0300298	1	R.H. SIDE PANEL (OPTIONAL) (N.S.)
11.	0300299	1	L.H. SIDE PANEL (OPTIONAL) (N.S.)

FRAME COVER



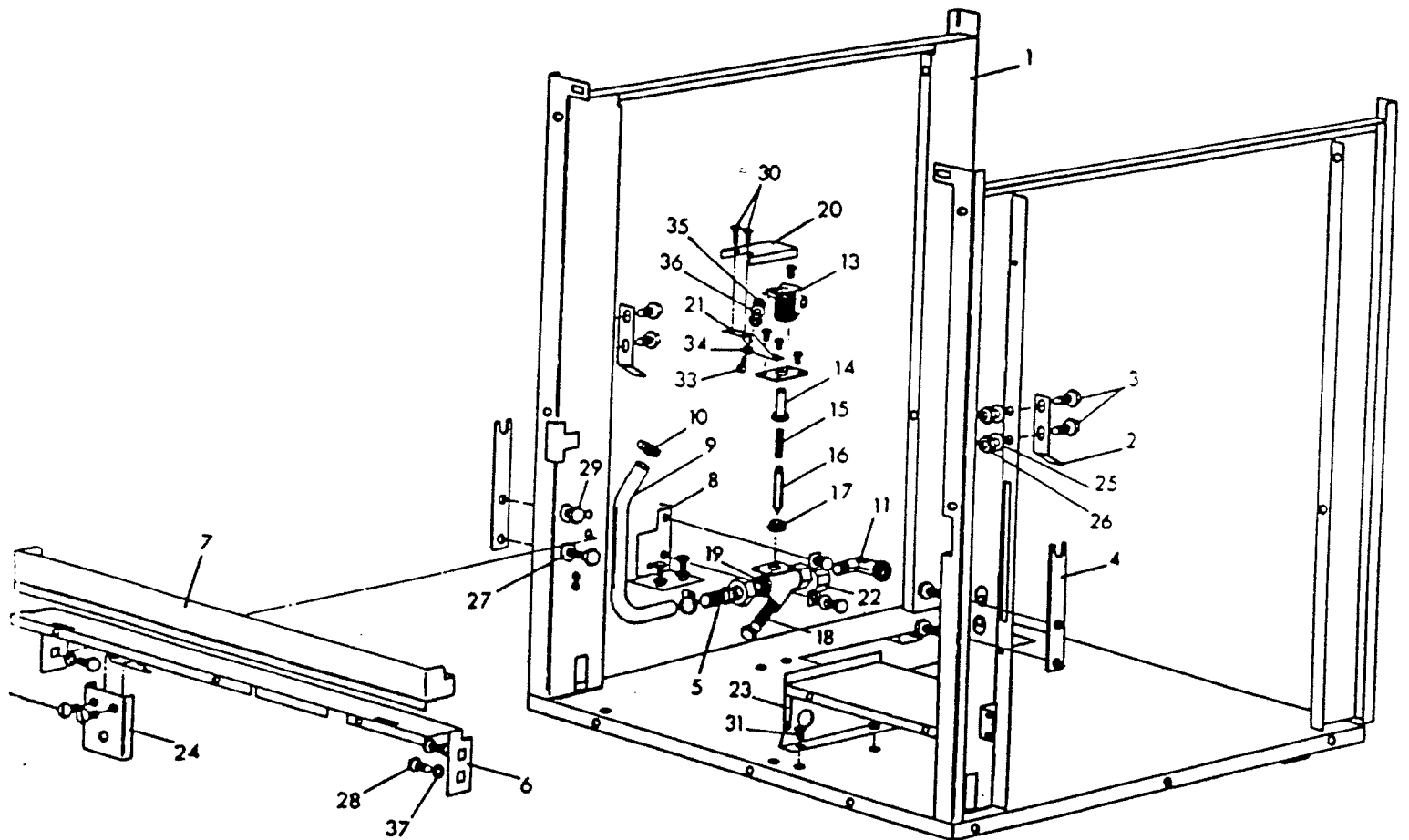
500TM2 FRAME

PLATE 3135

1.	0705516	1	FRAME WELDED ASSEMBLY
2.	0300067	2	DOOR STOP
3.	0501419	4	1/4-20 x 1/2 HEX SS MC SCREW
4.	0300069	2	HINGE BAR
5.	0502618	1	3/8 MPT x 1/2 COUPLER
6.	0705502	1	TRAY SUPPORT ASSEMBLY
7.	0705479	1	DRIP TRAY ASSEMBLY
8.	0704922	1	VALVE SUPPORT
9.	0502665	1	1/2 ID x 3/4 OD BRD PVC TUBE
10.	0503679	3	7/16 SS GEARTYPE HOSE CLAMP
11.	0503713	1	REDUCING ELBOW 1/2 FPT x 3/8 MPT
12.	0504952	1	115 V SOLENOID VALVE, 3 GPM
-----INCLUDES			
13.	0505235	1	COIL 115 V, 60 HZ
14.	0505229	1	SOLENOID GUIDE
	0502811	1	REPAIR KIT
-----INCLUDES			
15.		1	SPRING
16.		1	PLUNGER
17.	0502809	1	DIAPHRAGM

18.	0502803	1	SCREEN
19.	0502808	1	FLOW WASHER 3 GPM

20.	0306208	1	CABLE CLAMP
21.	0307373	1	CABLE CLAMP BRACKET
22.	0300203	1	CLAMP
23.	0705543	1	CONNECTION BOX
24.	0305096	1	THERMO ADJUST BRACKET
25.	0501501	8	1/4 LOCKWASHER SPLIT LIGHT SS
26.	0501539	4	1/4-20 HEX NUT SS
27.	0501496	4	5/16 LOCKWASHER INT TOOTH
28.	0501424	8	1/4-20 x 3/8 HEX SS MCH SCREW
29.	0503724	4	5/16-18 x 5/8 HEX SS MC SCREW
30.	0501406	2	#8-32 x 1/2 RH SS MACHINE SCREW
31.	0501441	9	#10-32 x 5/16 TYPE 23 MC SCREW
32.	0501408	2	#8-32 x 1/4 TH STAINLESS SCREW
33.	0501403	1	#10-32 x 3/4 RH BRASS MC SCREW
34.	0501493	1	#10 LOCKWASHER EX TOOTH BRONZE
35.	0501533	2	#10-32 HEX NUT - BRASS
36.	0501472	2	#10 FLAT WASHER - BRASS
37.	0501476	4	1/4 FLAT WASHER - SS
38.	0300084	1	NUT PLATE 8-32 TAP (N.S.)
39.	0503656	1	3/8 SNAP BUSHING (N.S.)
40.	0505506	1	FILL VALVE HARNESS (N.S.)



500 TM2 & HT TANK

PLATE 3137

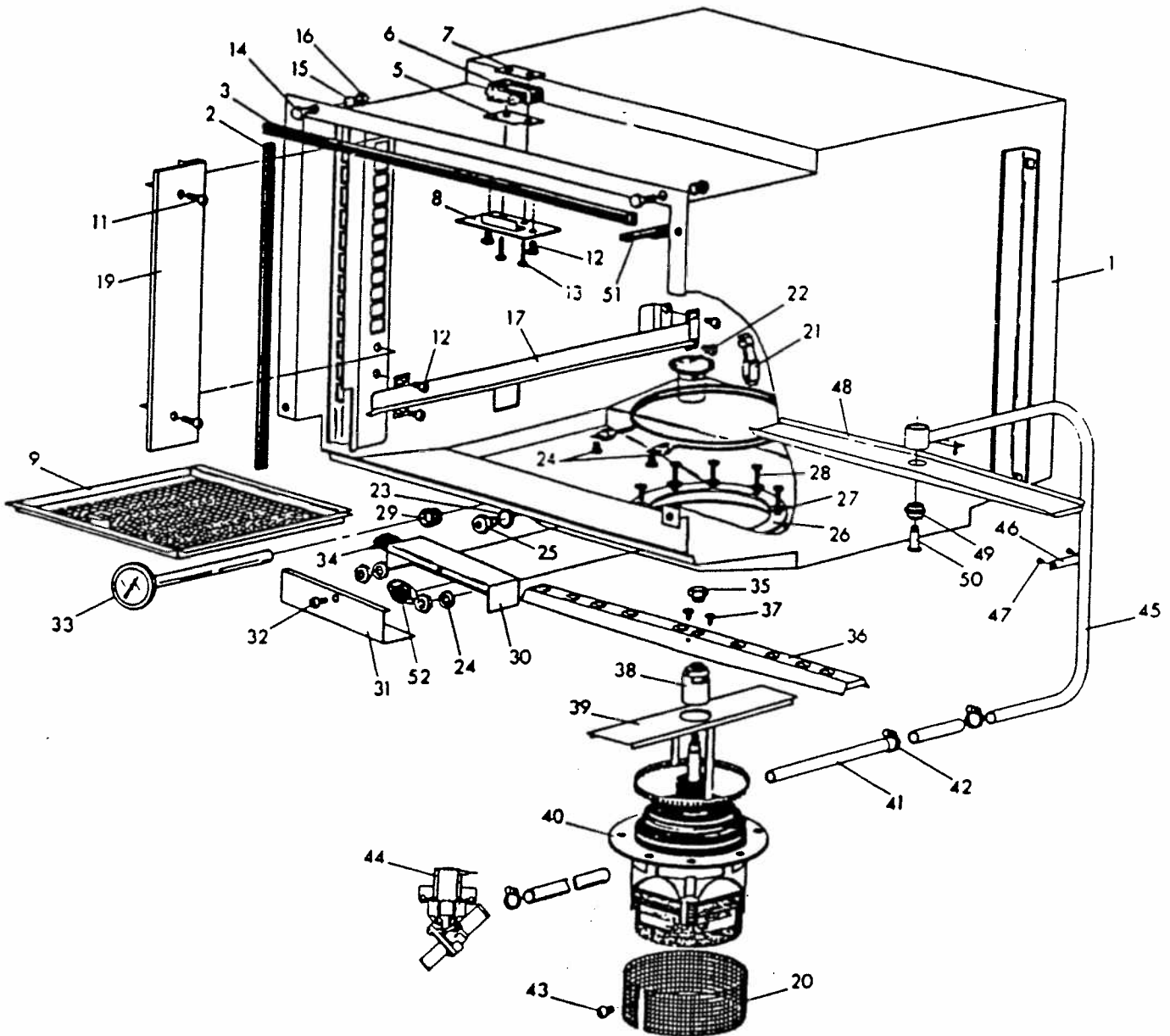
1.	0705537	1	TANK WELDED ASSEMBLY
2.	0503717	2	DOOR SIDE GASKET 19" LONG
3.	0501882	1	DOOR TOP GASKET 20 5/8" LONG
4.	0503727	1	DOOR SWITCH HARNESS (N.S.)
5.	0300132	2	DOOR SWITCH INSULATION
6.	0501382	1	TRIP SWITCH
7.	0300074	1	NUT PLATE
8.	0300073	1	SWITCH PLATE
9.	0705487	2	RH & LH SCREEN FRAME ASSEMBLY
11.	0501415	4	#10-32 X 5/8 RH SS MC SCREW
12.	0501412	8	#10-32 X 3/8 TH SS MC SCREW
13.	0503723	2	#6-32 X 1" RH SS MC SCREW
14.	0501419	6	1/4-20 X 1/2 HEX SS MC SCREW
15.	0501501	6	1/4 LOCKWASHER SPLIT LIGHT - SS
16.	0501539	6	1/4-20 HEX NUT - SS
17.	0700079	1	LH SLIDE ASSEMBLY
18.	0700080	1	RH SLIDE ASSEMBLY (N.S.)
19.	0700311	2	VENT COVER ASSEMBLY
20.	0704892	1	SCREEN MOTOR GUARD ASSEMBLY
21.	0703373	1	SPRING CLIP ASSEMBLY
22.	0700006	1	COVER ASSEMBLY
23.	0501836	1	"O" RING
24.	0504601	1	HEATER 1200 W. 240 V. 500HT (ONLY)
	0501331	1	HEATER 750 W. 120 V. 500TM2 (ONLY)
25.	0501649	1	FLOW METER ADAPTER
26.	0501881	1	MOULDED GASKET
27.	0300033	8	WASHER
28.	0501425	8	#8-32 x 5/8 RE SS MC SCREW
29.	0501896	1	THERMOMETER SEAL
30.	0305097	1	HEATER BOX
31.	0300061	1	HEATER COVER
32.	0501564	1	#8 x 3/8 PAN ED SET MET SCREW
33.	0504602	1	THERMOMETER 2" DIAL, 12" STEM
34.	0503574	1	STRAIN RELIEF BUSHING - SMALL
35.	0301684	1	SPRAYARM LOCK NUT
	0705486	1	LOWER SPRAYARM ASSEMBLY
-----INCLUDES			
36.	0705049	1	BOTTOM SPRAYARM
37.	0501563	2	#8 x 3/8 TH SLOT TYPE "A"
38.	0505044	1	BOTTOM SPRAYARM SUPPORT

39.	0707602	1	SCREEN SUPPORT ASSEMBLY
40.	0504910	1	VERTICAL PUMP 115V 60 HZ
41.	0305495	1	CONNECTION TUBE
42.	0503679	2	7/16 SS GEAR TYPE HOSE CLAMP
43.	0501565	1	#10 x 3/8 TH SHEET METAL SCREW
44.	0306618	1	DRAIN VALVE - REWORKED
45.	0705041	1	TOP MANIFOLD ASSEMBLY
46.	0305051	1	MANIFOLD CLIP

47.	0501412	4	#10-32 x 3/8 TH SS SCREW
	0505507	1	UPPER SPRAYARM COMP.
-----INCLUDES			
48.	0705047	1	UPPER SPRAYARM
49.	0505043	1	UPPER SPRAYARM SUPPORT
	0501563	2	#8 x 3/8 TH SLOT
50.	0505042	1	UPPER SPRAYARM PIVOT
51.	0505485	1	STEAM GASKET
52.	0507098	1	WASH TANK LIMIT THERMOSTAT
53.	0305067	1	R.H. SCREEN SUPPORT (N.S.)
54.	0507097	1	HEATER HARNESS (N.S.)

TANK

PLATE 3137



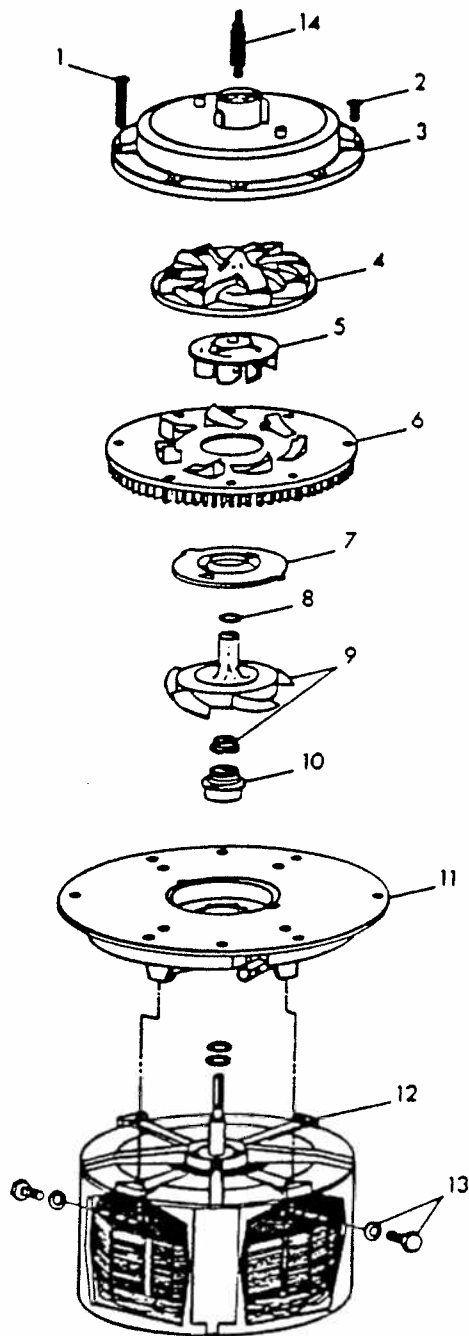
500TM2 & HT VERTICAL PUMP

PLATE 3138

	0504910	1	VERTICAL PUMP 115 V, 60 HZ
			--INCLUDES
1.	0501431	4	#8-32 X 1 1/8 RH SS MC SCREW
2.	0501425	4	#8-32 X 5/8 RH SS MC SCREW
3.	0506186	1	UPPER PUMP HOUSING
4.	0502741	1	DIFFUSER
5.	0502704	1	IMPELLER
6.	0502746	1	SUCTION & ADAPTOR PLATE
7.	0502745	1	DRAIN INLET PLATE
8.	0502703	1	"O" RING SEAL
9.	0502744	1	PROPELLER & ROTATING SEAL ASSEMBLY
10.	0502743	1	STATIONARY SEAL ASSEMBLY
11.	0502705	1	LOWER PUMP HOUSING & MOUNTING PLATE
12.	MOTOR		REPLACEMENT USE 0504910
13.	0501457	4	#10-24 X 7/8 LG. HEX HD PHILLIPS C/W SPLIT LOCKWASHER
15.	0501415	1	#10-32 X 5/8 SLOTTED PANHD MC SC C/W UNDER CUT AND "O" RING (NS)
14.	0501659	1	SPRAY ARM PIVOT
	0707619		PUMP SERVICE KIT
			--INCLUDES
	0502742		UPPER HOUSING
	0506186		UPPER HOUSING
	0502741		DIFFUSER
	0502746		SUCTION & ADAPTER PLATE
	0502745		DRAIN INLET PLATE

VERTICAL PUMP

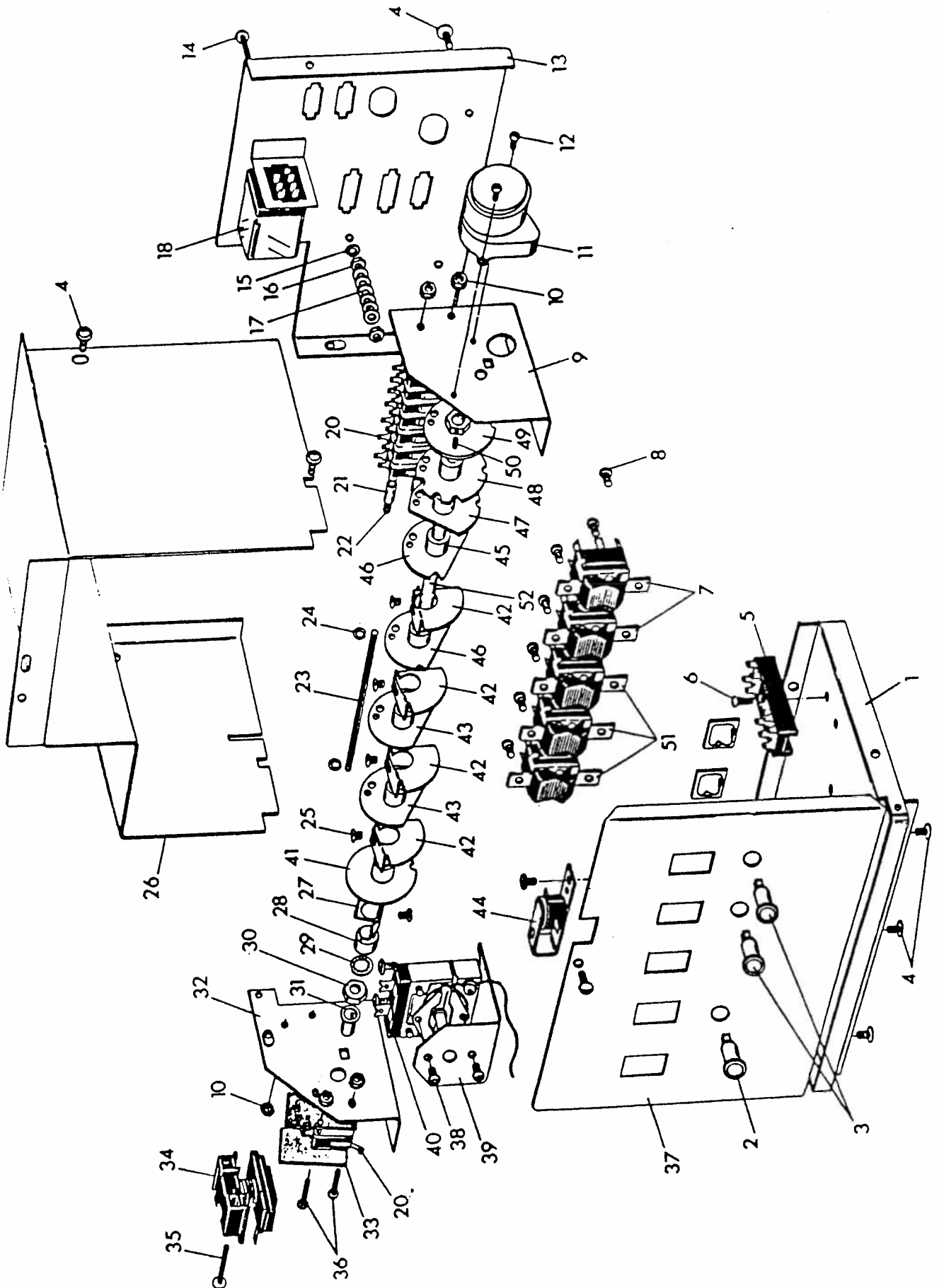
PLATE 3138



0705602	1	CONTROL BOX ASSEMBLY
1. 0705524	1	CONTROL BOX BOTTOM ASSEMBLY
2. 0503747	1	RED NEON LAMP, 115 V
3. 0503748	2	AMBER NEON LAMP, 115 V
4. 0501441	16	#10-32 x 5/16 TYPE 23 MC SCREW
5. 0503749	1	11 POINT TERMINAL BLOCK
6. 0501462	1	#8-32 x 3/4 RH MC SCREW
7. 0501361	2	DPDT ROCKER SWITCH 20 AMP
8. 0504911	10	#8 x 5/16 PAN HD SHT MET SCREW
9. 0704959	1	RH TIMER SUPPORT
10. 0501549	6	#4-40 KEPS NUT
11. 0504956	1	25 RPH 115 V TIMER MOTOR
12. 0504861	2	#4-40 x 1/8 PAN HD MC SCREW
13. 0705088	1	CONTROL BOX REAR
14. 0501403	1	#10-32 x 3/4 RH BRASS MC SCREW
15. 0501493	1	#10 LOCKWASHER EX-TOOTH - BRONZE
16. 0501533	2	#10-32 NUT-BRASS
17. 0501472	6	#10 L FLAT WASHER - BRASS
18. 0505528	1	RELAY 120/240 V COIL
19. 0506177	1	RELAY CLIP (N.S.)
20. 0501379	9	15 AMP? TIMER SWITCH
21. 0501479	12	1/4 OD x 1/8 x 1/16 FLAT FIBRE WASH
22. 0503740	2	TIMER STUD - 4 1/4" LONG
23. 0505605	1	TIMER PIN 3 1/4" LONG
24. 0503664	2	"E" RETAINER RING 3/16 SHAFT
25. 0503745	4	#8-32 x 3/16 RH MC SCREW
26. 0705532	1	CONTROL BOX COVER
27. 0300053	1	ADJUSTABLE DETERGENT CAM
28. 0503735	4	ADJUSTING SPACER
29. 0501507	1	5/16 LOCKWASHER INT-TOOTH CRS
30. 0501543	1	5/16-24 JAM NUT - SS
31. 0503701	1	TIMER SHAFT BEARING
32. 0704960	1	LH TIMER SUPPORT
33. 0503573	2	SWITCH INSULATION - LARGE
34. 0501358	1	START RELAY
35. 0503744	1	#10-32 x 1 1/4 TH MC SCREW
36. 0503746	2	#4-40 x 3/4 RH MC SCREW
37. 0705083	1	CONTROL BOX FRONT ASSEMBLY
38. 0501450	2	#6-32 x 1/4 COMBINATION NIBS
39. 0300096	1	THERMO SUPPORT
40. 0501380	1	VARIABLE THERMOMETER
41. 0300052	1	DETERGENT CAM
42. 0300237	3	ADJUSTABLE CAM
43. 0305069	2	CHEMICAL FILL CAM
44. 0503750	1	BUZZER 115 V, 60 HZ
45. 0301672	3	CAM SPACER
46. 0305068	1	FILL CAM
47. 0305072	1	MOTOR REVERSING CAM
48. 0305070	1	MOTOR CAM
49. 0300124	1	HOMING CAM
50. 0501397	2	#6-40 x 3/16 SOCK SET CUP PT
51. 0501369	3	SPRING RETURN ROCKER SWITCH
52. 0503737	1	TIMER SHAFT
53. 0505604	1	CONTROL BOX HARNESS (N.S.)

CONTROL BOX

PLATE 3139



500T CHEMICAL INJECTOR ASSEMBLY
 (INCLUDING OPTIONAL DETERGENT PUMP KIT 0705828)

PLATE 3175

0703761	1	CHEMICAL INJECTOR ASSEMBLY
1. 0300276	1	PUMP COVER
2. 0700309	1	PUMP HOUSING ASSEMBLY
3. 0706625	2	45 CC ELEMENT TUBE ASSEMBLY
4. 0506589	4	#6-32 x 7/8 SS RH MC SCREW
5. 0304883	4	ELBOW HOSE SPACER (OPT)
6. 0503755	1	5/16 ID x 7/16 OD SIL TUBE
7. 0503647	1	STRAIN RELIEF BUSHING - MEDIUM
8. 0503754	1	MASTERFLEX PUMP C/W HARDWARE (OPT)
9. 0503757	1	PUMP DRIVE MOTOR, 115 V 60 HZ (OPT)
10. 0503756	2	PUMP MOTOR - INJECTOR UNIT 115 V
11. 0501403	1	#10-32 x 3/4 RH BRASS MC SC
12. 0502644	2	1/4" HOSE BARB ELBOW (OPT)
13. 0501406	12	#8-32 x 1/2 RH SS MC SCREW
14. 0501497	12	#8 LOCKWASHER SPLIT REG - SS
15. 0501441	4	#10-32 x 5/16 TYPE 23 MC SCREW
16. 0707142	2	ROTOR
17. 0501493	1	#10 LOCKWASHER EX TOOTH - BRONZE
0501518	2	5 1/2" NYLON TIE (N.S.)
0501533	2	#10-32 NUT - BRASS (N.S.)
0503301	1	COVER WARNING LABEL (N.S.)
0503592	1	EARTH LABEL (N.S.)
0503695	1	STERILIZER LABEL (N.S.)
0503695	1	DETERGENT LABEL (N.S.)
0503759	1	CHEMICAL INJECTOR HARNESS (N.S.)
0503575	2	.125 BUTT CONNECTOR INSULATION (N.S.)
0503758	1	CLOSED END CONNECTOR (N.S.)
0503649	2	#10 L FLAT WASHER - BRASS (N.S.)

500TM2 CHEMICAL SENSOR

PLATE 3132

	0706180	1	SANITIZER PRESSURE SWITCH ASSY.
1.	0704944	1	SWITCH HOUSING ASSY.
2.	0300142	1	SWITCH COVER
3.	0503574	1	STRAIN RELIEF BUSHING - SM
	0704881	1	SANITIZER SENSOR ASSY.
			-----INCLUDES
	0705237	1	PRESSURE SWITCH ASSY.
4.	0504947	1	NC SWITCH - GOLD CONTACTS
14.	0507121	2	#4 x 5/8 SELF-TAP SCREW
16.	0507078	1	PLUNGER FOR 500T/HT
17.	0504948	1	DIAPHRAGM
18.	0507076	1	PRESSURE SWITCH BOTTOM
21.	0502645	2	1/8 HOSE BARB x 1/8 MPT
20.	0507075	1	PRESSURE SWITCH TOP
23.	0507120	2	#8 x 1 SELF-TAP SCREW

5.	0501441	2	#10 - 32 x 5/16 COMB.MACH.SCREW
6.	0304548	1	PLUG
7.	0501403	1	#10 - 32 x 3/4 RH BRASS MC SCREW
8.	0501493	1	EXTTOOTH LOCKWASHER BRASS
9.	0501551	4	#6 - 32 KEPS NUT
10.	0501533	2	#10 - 32 BRASS HEX NUT
11.	0501472	2	#10 FLAT WASHER BRASS
12.	0501519	1	4" NYLON TIE
15.	0502649	1	1/4" HOSE BARB TEE
22.	0503657	2	#6 - 32 x 1 3/4 RH MACH.SCREW
24.	0502666	3.3'	1/8 ID x 1/4 OD PVC BEV TUBE
25.	0502667	4.2'	1/4 ID x 3/8 OD PVC BEV TUBE (OPT.)
	0505501	1	PRESSURE SWITCH HARNESS (NS)
			-----OPTIONAL
	0704880	1	DET. SENSOR ASSY. (Shown)
			-----INCLUDES
	0705237	1	PRESSURE SWITCH ASSY.
4.	0504947	1	NC SWITCH - GOLD CONTACTS
14.	0507121	2	#4 x 5/8 SELF-TAP SCREW
16.	0507078	1	PLUNGER FOR 500T/HT
17.	0504948	1	DIAPHRAGM
18.	0507076	1	PRESSURE SWITCH BOTTOM
19.	0504549	2	1/4 HOSE BARB x 1/8 MPT
20.	0507075	1	PRESSURE SWITCH TOP
23.	0507120	2	#8 x 1 SELF-TAP SCREW

500T CHEMICAL SENSOR SWITCH

PLATE 3132

