

# ATTENTION PLUMBERS

**FAILURE TO FOLLOW THESE INSTRUCTIONS WILL VOID WARRANTY!**

**383**  
HT MODELS

0513878 REV A - 31-MAR-2016



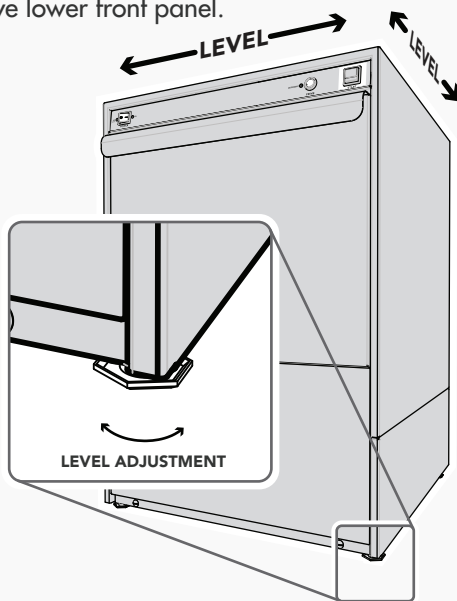
Plumbing connections must be made BEFORE electrical installation begins. **Damage to the water heaters** will occur if power is turned on without adequate water supply.

All plumbing connections must be made by qualified installers familiar with food service equipment in accordance with all local plumbing codes.

All plumbing connections **must be positioned** to allow the unit to be removable for service and cleaning.

**1**

- Place dishwasher in permanent location.
- Level Dishwasher with 4 levelling feet.
- Level side to side, and front to back.  
Remove lower front panel.



**2**

- Ensure water temperature and pressure meet the following **MINIMUM** requirements for optimal performance of the unit.

BOOSTER ELEMENT	MINIMUM INCOMING TEMPERATURE	MINIMUM INCOMING PRESSURE
4 kW	140°F / 60°C	20PSI / 138kPa
6 kW	110°F / 43°C	20PSI / 138kPa

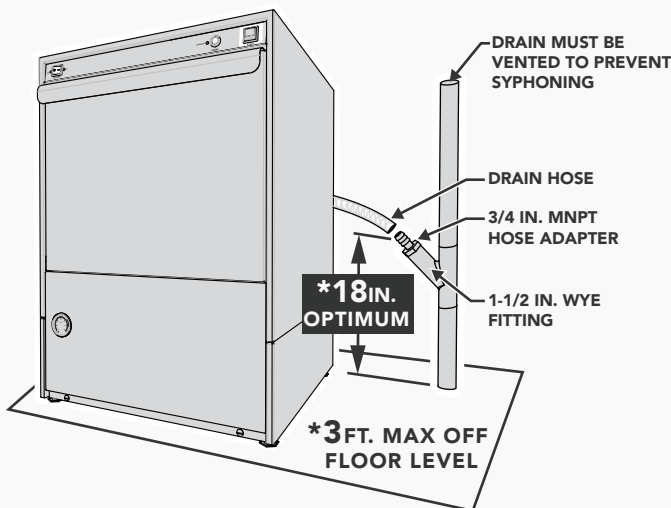
- MINIMUM 1/2 IN. WATER SUPPLY LINE**
- P.R.V. MUST BE INSTALLED AND MUST BE ADJUSTED TO 20 PSI FLOW**

- 6 ft. fill hose with 3/4" NPT fitting supplied
- Installation plumber has responsibility to thoroughly flush incoming water line before connecting unit.

**Note:** A shutoff valve should be installed on incoming water line.

**3**

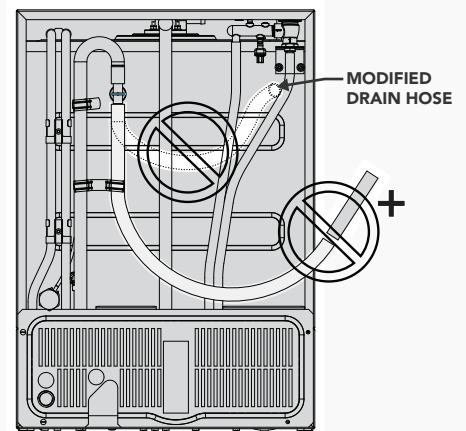
- 4 ft. clear braided drain hose supplied



- Drain connection with dedicated waste strongly recommended

**WARRANTY VOID IF:**

- extension added to drain hose
- syphon loop modified or removed
- supplied drain fitting not used



**4**

- Plumbing installation is now complete.
- Electrician may now proceed with the supplied Undercounter Installation's Electrical sheet.

