

201LT

Undercounter Low Temperature
Dishwashing Machine



SPECIFIER STATEMENT

Dishwasher will be Moyer Diebel model 201LT low temperature undercounter dishwasher, complete with 1 Hp pump motor, soft start feature, all stainless steel frame and fill and drain type operation. Machine to have a minimum of 15-3/4" [400mm] opening to accommodate trays.

1 year parts and labor warranty.

Vent hood is not recommended as unit does not produce excessive steam. Always follow local building code guidelines.



STANDARD FEATURES

- Industry exclusive high grade 316 stainless steel
- "Vari-cycle" button. Allows unlimited number of user selectable cycle times
- Delime cycle
- Auto-clean cycle
- Micro-computer solid-state controls
- Soft start provides gradual and quiet pump activation and prevents dish and glass breakage
- Fill and drain type operation. Rinse water always re-used as next cycle's wash water. Low 1.5 imp gal (7L) water usage per rack
- Electric tank heater (.75 kW)
- Liquid detergent, sanitizer and rinse-aid dispensing pumps complete with prime switches
- Flexible fill and drain lines, flow regulator/line strainer and standard pumped drain for total ease of installation
- Quick 141 second cycle time. 25 racks per hour capacity
- Large 15-3/4" [400mm] door opening accommodates trays
- Rugged, counter-balanced, double skin door, for quieter operation
- Complete with two 20" x 20" [508 x 508 mm] racks (one peg and one flat)
- One year parts and labor warranty

OPTIONS & ACCESSORIES

- | | |
|---|---------------|
| <input type="checkbox"/> 1" roller casters | P/N 0712480-1 |
| <input type="checkbox"/> Flat bottom dishrack | P/N 101273 |
| <input type="checkbox"/> Peg dishrack | P/N 101285 |
| <input type="checkbox"/> 6" Stand | P/N 0712393 |
| <input type="checkbox"/> 17RS - 17" Stand | P/N 0708757 |

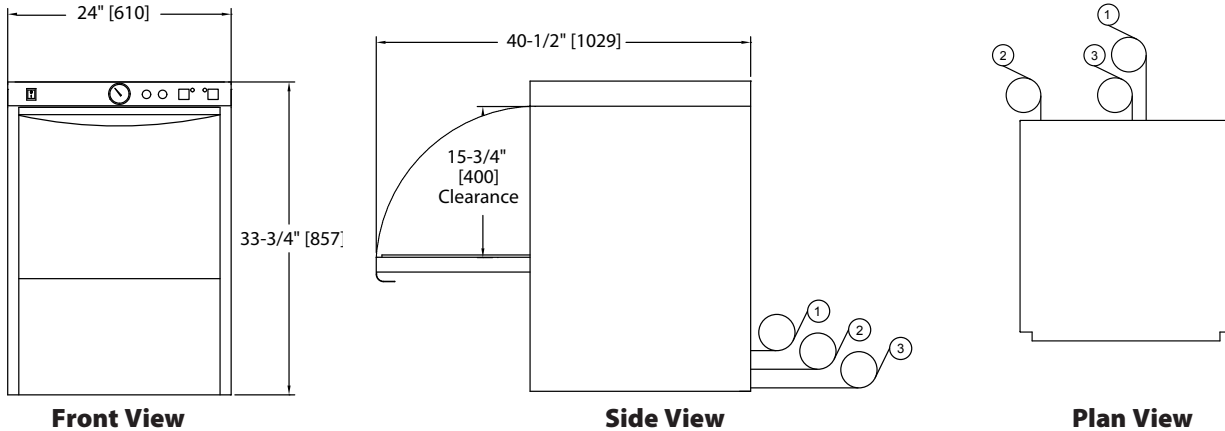


Simply Engineered Better

201LT

Undercounter
Low Temperature
Dishwashing Machine

Dimensions shown in inches and [millimeters]



*Note: Allow additional 3" clearance from wall.

Utilities	
1 Electrical Connection	115/60/1; 12 amp draw; to be fused at 15 amp. 4ft. plug-in cord supplied.
2 Water Connection	120°F Min., 1/2" supply hot water connection 6 ft. long, 1/2" I.D. flexible fill hose with 3/4" garden hose connector Flow pressure: 25-95 psi (173-656 kPa)
3 Drain Connection	6 ft. long, 5/8" I.D. flexible drain hose; c/w 3/4" MNPT fitting Max. drain flow: 15 US gpm

	Uncrated	Crated
Height	33-3/4"	39-1/2"
Width	24"	25"
Depth	25"	25-1/2"
Ship Wt. lbs	178	198

* Front leveling feet provided

Due to an ongoing value analysis program at Moyer Diebel, specifications in this catalog are subject to change without notice.

SPECIFICATIONS

Capacity	
*Racks per hr.	25
Motor Horsepower	
Wash	1
Water Consumption	
Per hr. (max. use)	32 US gal;
Per rack	1.5 US gal;
Temperatures °F	
Wash (minimum)	120° (140° recommended)
Rinse (minimum)	120° (140° recommended)
Heating	
Tank heat, electric (kW)	.75
Time Cycle in Seconds	
Wash	90
Rinse	26
Drain/fill	25
Total	141

Warning: Plumbing and electrical connections should be made by qualified personnel who will observe all the applicable plumbing, sanitary and safety codes.

Moyer Diebel – USA

3765 Champion Blvd., NC 27105
336/661-1992 • Fax: 336/661-1979

moyerdiebel.com

an Ali Group Company



The Spirit of Excellence