

MC44

High or Low Temperature Rack Conveyor
Dishwashing Machine



STANDARD FEATURES

- High performance 244 racks per hour
0.49 gallons per rack
- Low water consumption
- Unrivaled cleaning ability
- Dual rinsing system
- User friendly conveyor
- Auto fill and auto cut-off
- No operator controls
- Energy saving stage washer
- Low water consumption
- No circuit boards
- Quiet operation
- Rack saving conveyor drive
- 360 sq. in. of washing action
- High capacity heaters
- Self-purging
- Wide opening access doors
- Skirted motor compartment
- Heavy stainless steel construction
- High or Low Temperature

SPECIFIER STATEMENT

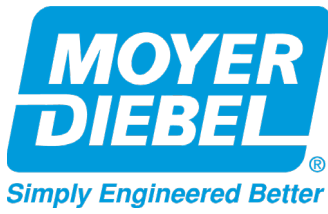
Specified unit will be Moyer Diebel MC44 rack conveyor dishwashing machine.

Features include: chemical connections, vent fan interlock and table limit switch connections, energy sentinel, vent cowls with stack and anti-jam conveyor drive system.

1 year parts and labor warranty.

OPTIONS & ACCESSORIES

- 40°F (4°C) rise (16 kW) electric booster
- 70°F (21°C) rise (27 kW) electric booster
- Direction of operation
 - Right to left
 - Left to right
- Table limit switch
- Drain water tempering kit (unmounted)
- Water Pressure Reducing Valve (unmounted)



MC44

High or Low Temperature Rack Conveyor Dishwashing Machine

Shipping weight crated: **760 lbs. [344.7 kg]**

Dimensions shown in inches (in)

Utilities

1 Electrical	Machine and booster (See electrical chart)
2 Hot water	Main connection 3/4" FPT. 110°-140°F (43°-60°C) 20 PSI Flow pressure (124-152 kPa)
5 Drain Connection	2" FPT
8 Vent Stack Connection	A. Load end 150 CFM @ 1/4" static pressure B. Unload end 400 CFM @ 1/4" static pressure

SPECIFICATIONS

Capacity

Racks per hr. (NSF rated)	244
Conveyor speed (ft/min)	6.8

Motor Horsepower

Wash	3
------	---

Water Consumption

Per rack per hour	.49 US gal
-------------------	------------

Heating

Tank heat, electric (kW)	12
Dual Rinse (kW)	2.25

Warning: Plumbing and electrical connections should be made by qualified personnel who will observe all the applicable plumbing, sanitary and safety codes.

Machine only			
Elec. Specs.	Rate Amps	Maximum Supply Ckt. Conductor Ampacity	Maximum Overcurrent Protective Device
208/60/3*	50	70	70
240/60/3*	52	70	70

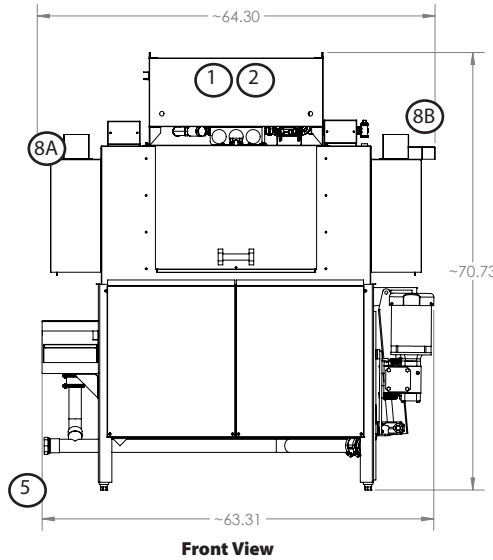
* Contact factory for single phase

Booster only (not shown) 27 kW			
Elec. Specs.	Rate Amps	Maximum Supply Ckt. Conductor Ampacity	Maximum Overcurrent Protective Device
208/60/3*	74.9	100	100
240/60/3*	65.0	90	90

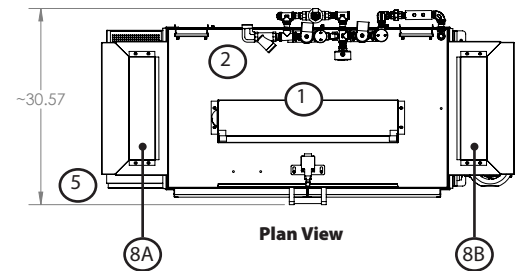
* Contact factory for single phase

Moyer Diebel – USA
3765 Champion Blvd., NC 27105
336-661-1979 • Fax: 336-661-1979

www.moyerdiebel.com

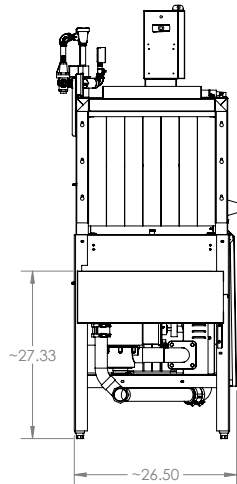


Front View

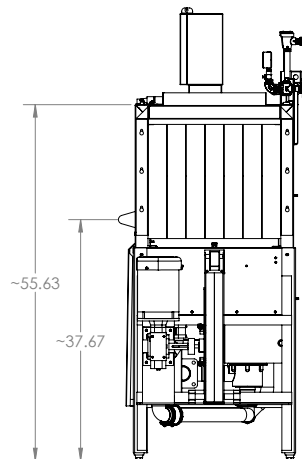


Plan View

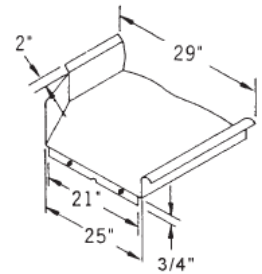
**LEFT FEED OPERATION SHOWN
(BOOSTER NOT SHOWN ON SPEC SHEET)**



Side View



Side View



Suggested Table Construction

ELECTRICAL POWER SUPPLY

208/240, 3 HP, 60 AMP, 60HZ

3 Phase installation requires 6 gauge wires, a suitable ground, and a clean circuit.

208/240, 1 HP, 50/60 AMP, 60HZ

1 Phase installation requires one (1) 50 Amp service using 8 gauge wires with a 10 gauge neutral wire, and one (1) 60 Amp service using 6 gauge wires and a suitable ground, both on clean circuits.