

# MD2000LT

Low Temperature  
 Door-type Dishwashing Machine



## SPECIFIER STATEMENT

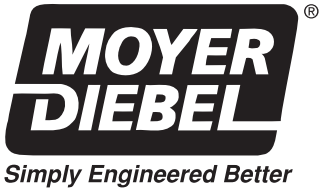
Specified unit will be Moyer Diebel MD2000LT 3 Door Lift low temperature, chemical sanitizing commercial dishwashers meet ETL, UL, and CUL sanitation and construction standards WITHOUT the use of BOOSTER or TANK HEATERS. The model is constructed entirely of stainless steel. Each unit automatically washes, rinses and sanitizes wares in standard 19-3/4" x 19-3/4" racks. Units come with standard upper and lower stainless steel wash arms.

## STANDARD FEATURES

- **ENERGY STAR<sup>®</sup> Qualified**
- **Uses only .93 US gallons (.77 imp/3.5L) of water per cycle**
- Quick 90 second cycle time
- 40 racks / hour
- Economical to operate
- All stainless steel construction
- Unique spray arm system features upper and lower stainless steel wash arms with reinforced end caps
- Top mounted controls include built-in chemical pumps and deliming system for dealing with scale
- Auto start/stop
- New integrated scrap tray prevents food soil from entering drain system
- Airgap fill system
- 17" tall door opening
- 115 volt unit – 20 amp breaker required

## OPTIONS & ACCESSORIES

- Sanitizer Alarm
- Vent Fan Control

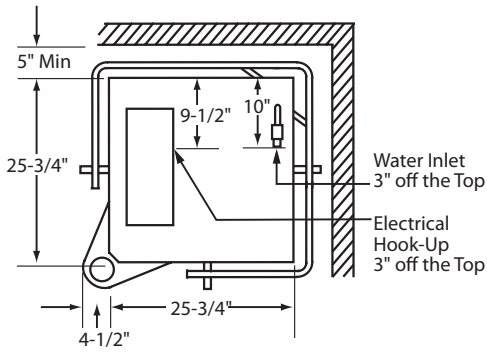


# MD2000LT

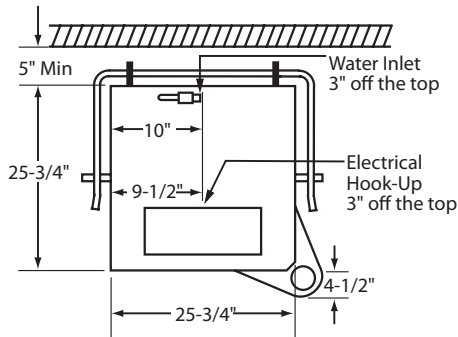
Low Temperature  
Door-type Dishwashing Machine

Shipping weight crated: 218 lbs.

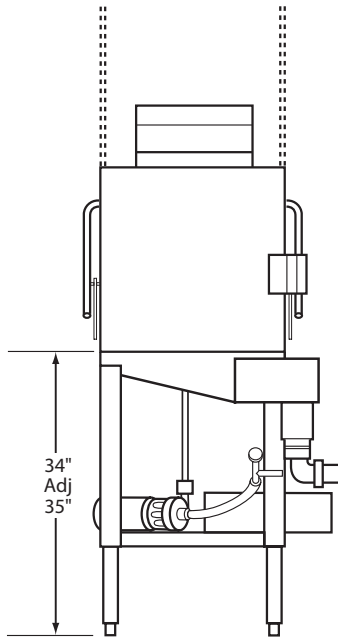
Dimensions shown in inches



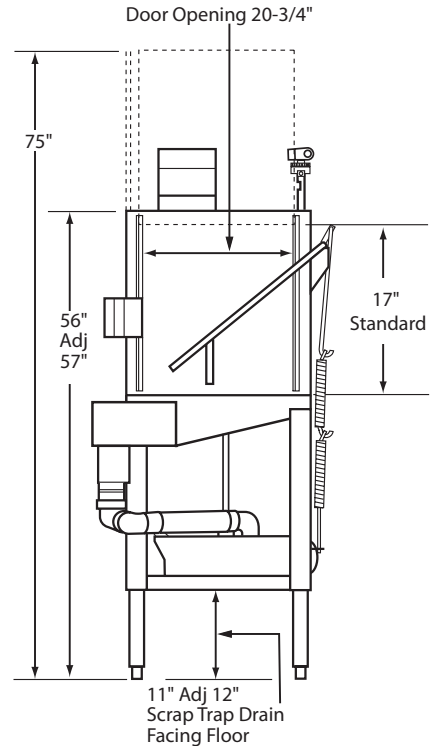
**Top View - Corner**



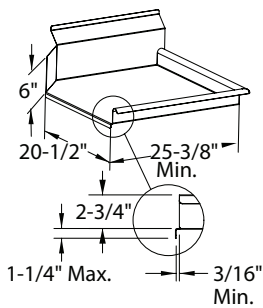
**Top View - Straight**



**Front View**



**Right View**



**Table Construction**

Utilities	
<b>Water</b>	1/2" water inlet
<b>Electrical</b>	115V; 16 amps draw 20 amp breaker required
<b>Drain</b>	2" I.P.S.

Warning: Plumbing, electrical connections should be made by qualified personnel who will observe all the applicable plumbing, sanitary and safety codes and the National Electrical Code.

## SPECIFICATIONS

### Capacities

Racks per hr. (NSF rated)	40
Pump Capacity	52 Gal/197 LPM

### Motor horsepower

1 HP

### Water consumption

Gal. per hr. (max. use)	37
[liters/imp gal.]	[139/30.8]
Gal. per rack	0.93
[liters/imp gal.]	[3.53/0.77]

### Temperature °F/°C

Required	120/49
Recommended	140/60

### Time cycle in seconds

Wash	45
Rinse	30
Dwell	15
Total cycle	90

Moyer Diebel - USA  
3765 Champion Blvd., NC 27105  
336/661-1979 • Fax: 336/661-1979

Moyer Diebel - Canada  
2674 N. Service Rd, Jordan Station, Ontario, Canada L0R 1S0  
800/263-5798 • Fax: 905/562-5422

ChampionIndustries.com/canada • sales@moyerdiebellimited.com