



Simply Engineered Better

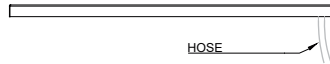
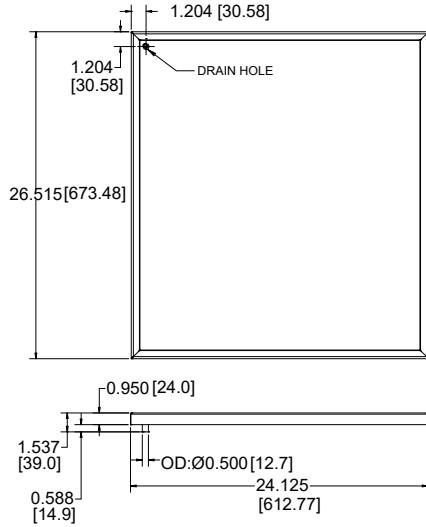
Project _____

Item No. _____

Quantity _____

Drip Tray

Dimensions shown in inches and [millimeters]

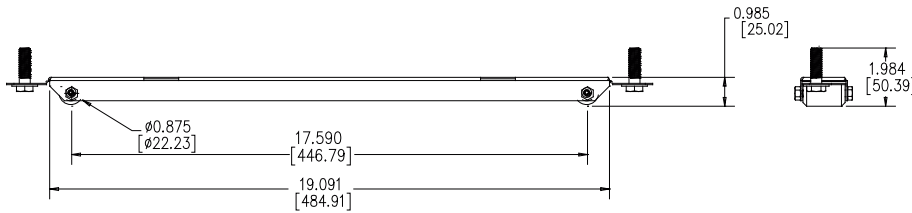
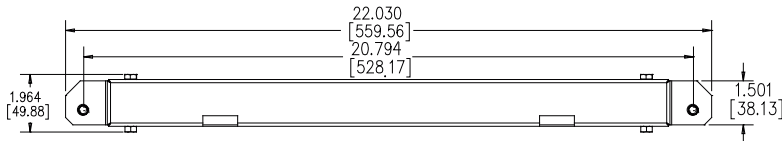


MDL PART NO. 0714208

Notes:

- 6feet PVC clear hose included (0503930)
- Accommodates all Moyer Diebel undercounters

Roller Kit A

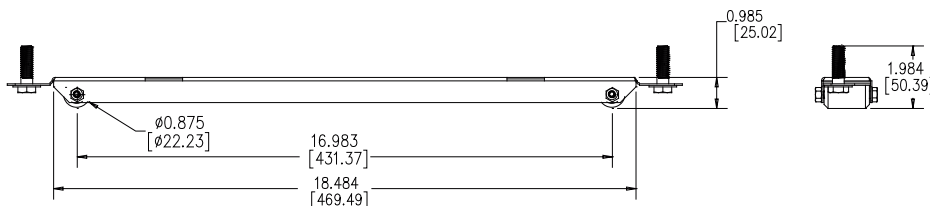
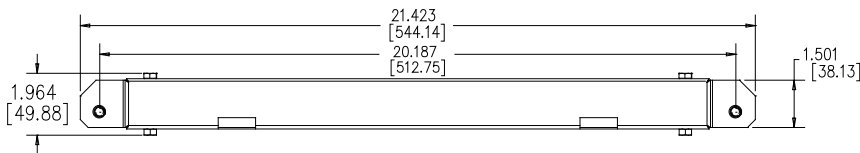


MDL PART NO. 0712480-1

Notes:

- Hardware is included
- Sold in pairs
- Accommodates the Moyer Diebel 200 & 601 series undercounters

Roller Kit B



MDL PART NO. 0712480-2

Notes:

- Hardware is included
- Sold in pairs
- This only accommodates the 383 Series

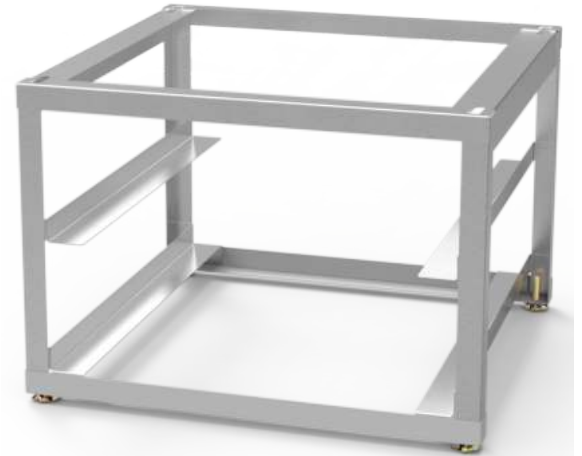
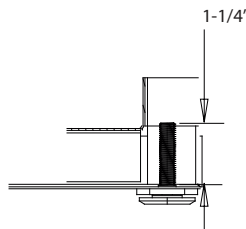
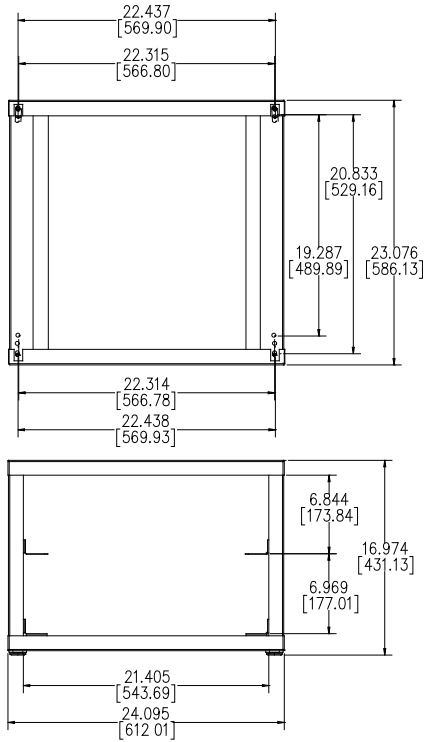
Moyer Diebel Ltd. – USA

3765 Champion Blvd, NC 27105 • 336/661-1992 • Fax: 336/661-1979

sales@moyerdiebel.com

www.moyerdiebel.com

**17" RACK STAND (17RS)
ALL U/C MODELS**

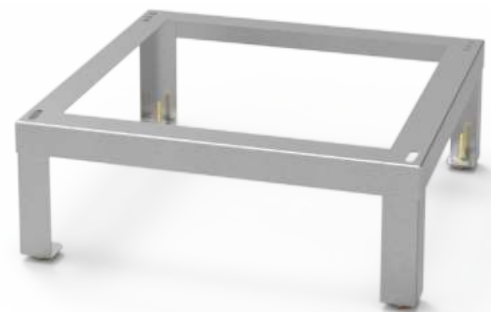
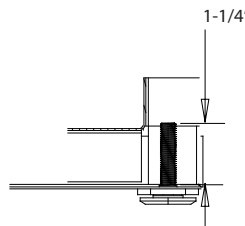
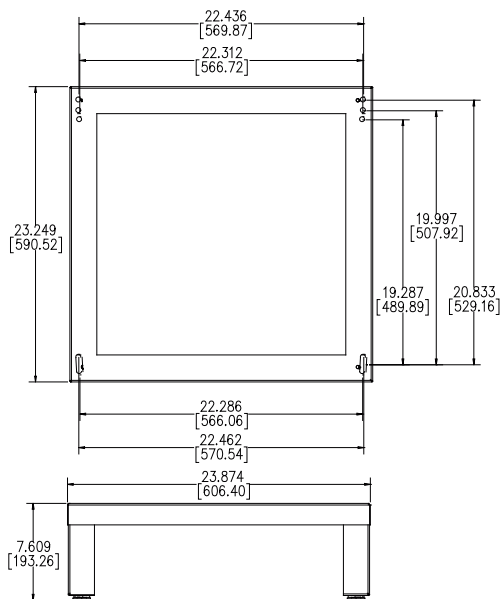


MDL PART NO. 0708757

Notes:

- Hardware included
- Accommodates all Moyer Diebel undercounter models
- Storage for 2 empty dishracks
- Includes four adjustable feet for leveling allowing up to 1-1/4" adjustment

**8" STAND
ALL U/C MODELS**



MDL PART NO. 0712393

Notes:

- Hardware included
- Accommodates all Moyer Diebel undercounter models
- Includes four adjustable feet for leveling allowing up to 1-1/4" adjustment