



Simply Engineered Better

# SW

Pass Through Fully Automatic Glasswashing Machine



SW600

SW400



SW47

(5½" W x 17" L x 6" H)

## SPECIFIER STATEMENT

Specified unit will be Moyer Diebel model SW400 or SW600 pass-through conveyor type glasswasher.

Features include detergent, sanitizer and rinse aid pump, upper & lower wash/rinse arms, cold water final rinse, polypropylene conveyor, two splash curtains, processes 2,000 glasses/hr. Warranty: 1 year parts, 90 day labor.



Project \_\_\_\_\_  
 Item No. \_\_\_\_\_  
 Quantity \_\_\_\_\_

SW GLASSWASHING MACHINE

## STANDARD FEATURES

- New three pump injection system:
  - Injector system allows the use of separate sanitizer and rinse aid resulting in real savings.
  - Precisely calibrated pumps inject just the right amount of chemical each time – no guesswork – no waste.
- Upper and lower wash and rinse arms produce sparkling clean glasses every time
- Cool final rinse water provides a fresh, cool glass ready for immediate use
- Available in either 4 foot or 6 foot models
- Two splash curtains
- Processes approximately 2000, 2-1/2" glasses/hr.
- Available in either right-to-left or left-to-right operation
- Polypropylene conveyor virtually eliminates chipping of fine stemware.
- Internal rinse water tempering valve.

## OPTIONS & ACCESSORIES

- |   |   |             |
|---|---|-------------|
| <input type="checkbox"/> SW46C          | – Waste Sink                                    | P/N 0708453 |
| <input type="checkbox"/> SW47           | – Drain Tray & Waste Collector                  | P/N 0706204 |
| <input type="checkbox"/> SW12           | – S/S splash guards for SW400                   | P/N 0702877 |
| <input type="checkbox"/> SW24           | – S/S splash guards for SW600                   | P/N 0702878 |
| <input type="checkbox"/> SW48           | – S/S back panel for SW400                      | P/N 0702882 |
| <input type="checkbox"/> SW72           | – S/S back panel for SW600                      | P/N 0702886 |
| <input type="checkbox"/> Kit 264        | – Washdown hose                                 | P/N 0701956 |
| <input type="checkbox"/> Kit 332        | – Casters; set of 4,<br>2 locking, 2 stationary | P/N 0701962 |
| <input type="checkbox"/> Site Glass kit |   | P/N 0712993 |

MD007 Printed in U.S.A.

Moyer Diebel –Canada

2674 North Service Rd., Jordan Station, Ontario, Canada L0R 1S0 Tel: 905/562-4195 Fax: 905/562-4618  
 800/263-5798 sales@moyerdiebellimited.com

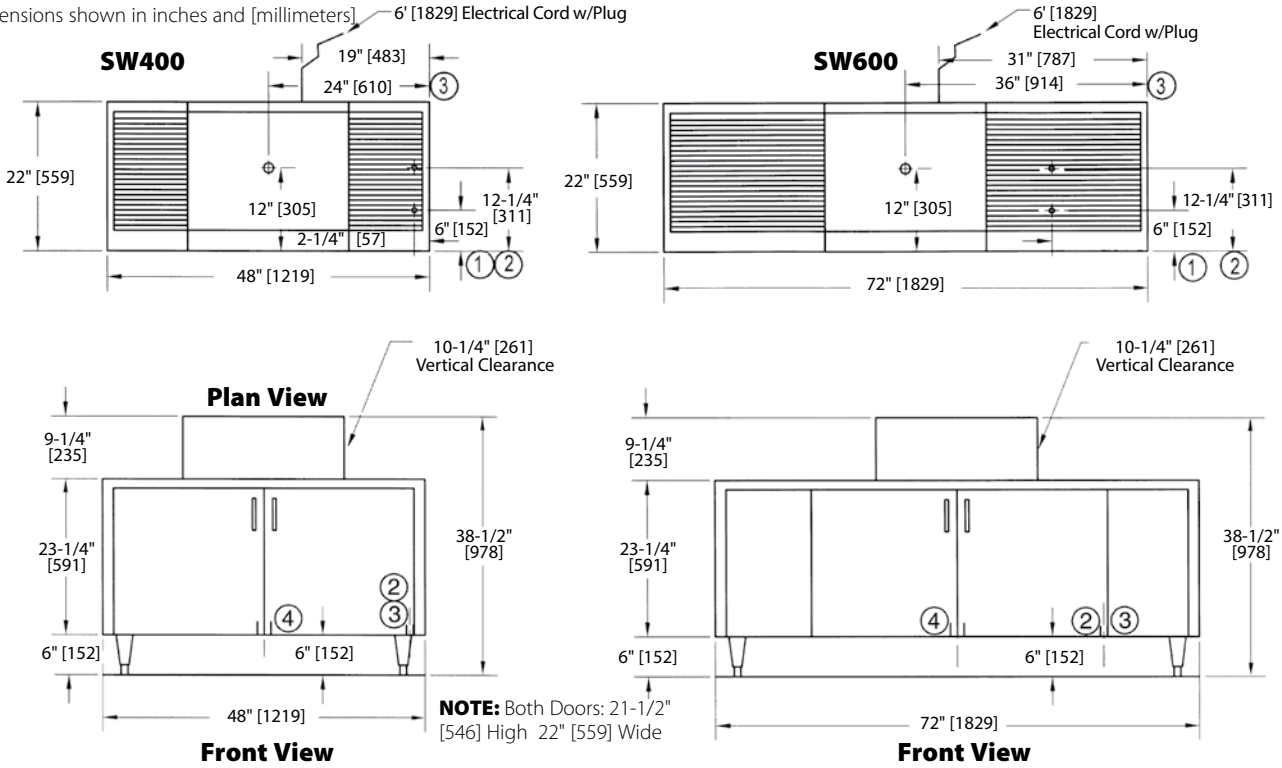


Simply Engineered Better

SW

Pass Through Fully Automatic Glasswashing Machine

Dimensions shown in inches and [millimeters]



Utilities	
<b>1 Electrical</b>	208 - 230/60/1, 15 amp (Supplied with 4ft. [1219] plug-in cord NEMA6-15P)
<b>2 Hot Water Connection</b>	1/2" IPS. Flow pressure 25-95 psi (173-656 kPa)
<b>3 Cold Water Connection</b>	1/2" IPS. Flow pressure 25-95 psi (173-656 kPa)
<b>4 Drain Connection</b>	1/2" IPS. Flow pressure 25-95 psi (173-656 kPa) 1-1/2" tailpiece. Connect to drain size according to local plumbing code.

	Uncrated		Crated	
	SW400	SW600	SW400	SW600
<b>Height*</b>	38-1/2" [978]	38-1/2" [978]	49" [1244]	49" [1244]
<b>Width</b>	48" [1219]	72" [1882]	53" [1346]	76-1/2" [1942]
<b>Depth</b>	22" [559]	22" [559]	27-1/2" [698]	27-1/2" [698]
<b>Ship Wt. lbs/kg</b>	225/102	285/129	255/115	325/147

\* Adjustable foot height - 1-1/4" [32]

Moyer Diebel - USA  
3765 Champion Blvd., NC 27105  
336/661-1979 • Fax: 336/661-1979

Moyer Diebel - Canada  
2674 N. Service Rd, Jordan Station, Ontario, Canada L0R 1S0  
800/263-5798 • Fax: 905/562-5422

ChampionIndustries.com/canada • sales@moyerdiebellimited.com

## SPECIFICATIONS

<b>Capacity</b>	2-1/2" glasses/hr.	2000
<b>Water Consumption</b>	Cold water	2.8 US gpm 10.6 liters/min
	Hot water (initial fill)	2.24 imp. gpm 3 US gallons 11.35 liters
		2.4 imp. gallons
	(Max. use-approx. 10 US gph/8.3 imp gph)	
<b>Temperatures °F/C</b>	Inlet water (hot)	140-160/60-71
	Inlet water (cold)	75/24
<b>Heating</b>	Tank heat, electric (kW)	3
<b>Conveyor</b>	Speed inches/millimeters per min.	14/356

**Warning:** Plumbing and electrical connections should be made by qualified personnel who will observe all the applicable plumbing, sanitary and safety codes.

Due to an ongoing value analysis program at Moyer Diebel, specifications in this catalog are subject to change without notice.

